



Technical data sheet

# Vitae

## Infrared radiator for IR warming cabins

Full spectre IR radiator with high-performance quartz glass emitter. Completely with durable housing, protective grill and pre-mounted cable. For domestic and commercial use.

### Your advantages:

- Full power in less than one second
- High intensity and wide coverage angle
- Full spectre infrared radiation - IR-A, IR-B and IR-C
- Can be dimmed with appropriate control systems
- Available in 3 power outputs: 350 W, 500 W, 750 W
- Completely pre-mounted with durable stainless steel housing, polished aluminium reflector and protective grill
- With the integrated filter against power jump effect by cold switching
- Including 3 m silicone cable
- Made in Germany quality by EOS

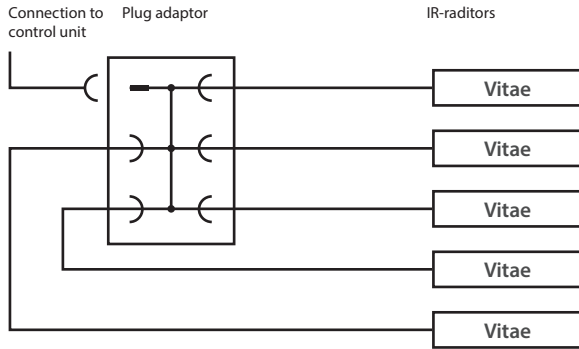
### Features and specifications:

Housing:	Stainless steell
Reflector:	Polished aluminium
Cover:	Protective grill, aluminium, with black flocking
Connection cable:	Silicone cable 3x1,5 mm <sup>2</sup> , apporx. 3 m, with Wieland type plug
Dimensions (HxWxD):	900 x 84 x 65 mm
Power output:	350 W, 500 W, 750 W
Power supply:	230V 1N AC 50 Hz
Installation:	In the cabin side walls or corners, vertically or horizontally. No ceiling installation permitted!



MADE IN GERMANY

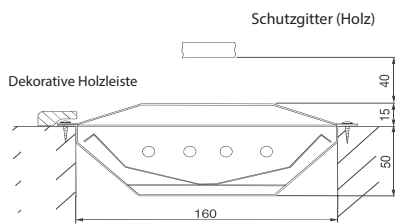
### Connection overview



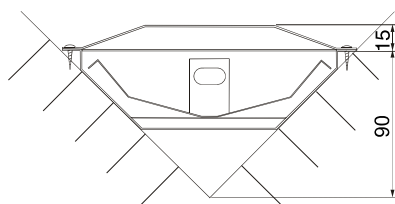
By 750 W radiators max. 4 units (3500W) possible by 16 A capable connection line.

### Installation

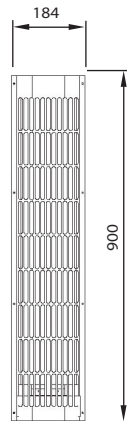
#### Vertical installation in the wall



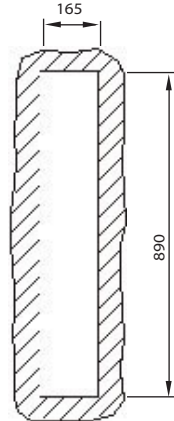
#### Vertical installation in the corner



#### Front view

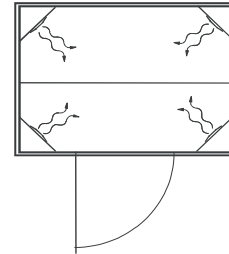


#### Wall aperture



**Attention!** Make sure to provide sufficient air circulation behind and above the radiator. The space above the radiator must not be blocked, so that the warm air may rise freely. **Risk of fire!**

### Installation hints



Prolonged direct staring at the radiator may cause damages to the eyes and should be avoided.

The emitters should be arranged so that the user is heated from as many directions as possible in order to ensure a possibly even heat treatment.

### Spare parts and accessories

Description	Item no.
Emitter Vitae 350 W	2001.3034
Emitter Vitae 500 W	2001.2814
Emitter Vitae 750 W	2001.2815
Triangle cover for corners	94.4566
Protective grill, black flocking	1349801
Plug adaptor	94.2046



Plug adaptor 94.2046, incl. connecting cable.  
1 x input 5 x output



Triangle cover for radiator installation in corners,  
94.4566

Item no.	Power supply	Power output	IR emitter	IR spectre	Dimensions, HxWxD	Wall aperture	Weight without packing	Suitable control units
94.2865	230V 1N AC 50 Hz	350 W	Vitae quartz glass emitter	0,8 - 10 µm IR-A IR-B IR-C	900 x 184 x 65 mm	165 x 890 mm	2,5 kg	Infratec Classic Infratec Premium InfraTouch I AF
94.2576		500 W						
94.2577		750 W						