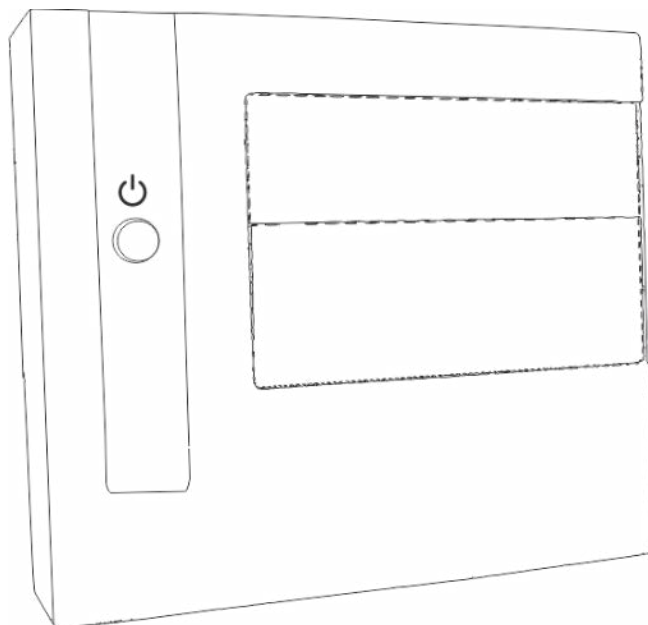


NARVI

ND105 / Narvi Dual Sauna control Touch control in black

EN

DE



INSTRUCTIONS FOR INSTALLATION AND USE English

Contents

1. Important information about these instructions	4
2. Important safety information	5
2.1. Safety instructions for the installer	6
2.2. Safety instructions for the user	7
3. Product description	8
3.1. Scope of supply	8
3.2. Product functions	8
4. Installation	9
4.1. Installing the power and control units	9
4.2. Installing stove sensor F1	12
4.3. Installing bench sensor FTS2	13
5. Electrical connection	14
5.1. Connecting the power unit	14
5.2. Connecting a door contact switch	16
5.3. Connecting a switch for remote start	16
5.4. Final testing	17
5.5. Error messages	17
6. Start-up	18
6.1. General information about these instructions	18
6.2. General safety instructions	18
6.3. Control operating elements	18
6.4. Sauna control operating modes	19
6.5. Switching the control and light on/off	20
6.6. Switching on the "Finnish sauna" operating mode	22
6.7. Switching on the "Steam sauna" operating mode	22
6.8. Switching the fan on/off	25
6.9. Remote start	26
6.10. Setting a pre-set time	26
6.11. Setting the operating time	28
6.12. Function of the (optional) door contact switch	28
6.13. Deactivating/activating the evaporator function	29
6.14. Activating/deactivating holiday home mode	30
6.15. Control operating modes	30
6.16. Sauna control status messages	32
6.17. Error messages	35
7. Troubleshooting	36
7.1. Operating time exceeded	36
7.2. Cabin light not working	37
8. Cleaning	37
9. Disposal	37
10. Technical data	38
10.1. Power unit	38
10.2. Control unit	39

1. Important information about these instructions

Please read these instructions carefully before installation and start-up. Afterwards, store these instructions near the sauna cabin to ensure constant access to important information.

Warnings and signal words in these instructions

Specially marked warnings indicate activities that may pose a danger. Please pay attention to these warnings to avoid property damage and injuries, which may even be fatal in a worst-case scenario.

The signal words used have the following meaning:



ATTENTION

This signal word warns of property damage, there is no risk of injury.



CAUTION

Injuries are possible if this information is not followed.



WARNING

Serious or fatal injuries are possible if this information is not followed.



DANGER

Serious or fatal injuries are highly likely if this information is not followed.

Further information in these instructions/on this product



This symbol indicates notes and tips.



Warning: Do not cover.



Read the instructions for use.

2. Important safety information

Sauna controls are manufactured in accordance with the applicable standards and the generally accepted rules of engineering. Despite this, dangers may still arise, so make sure that you observe the safety instructions included in each section. These are marked by the described signal words.

Intended use

Sauna controls are only suitable for controlling and regulating sauna stoves and evaporators according to the technical data. The sauna stoves or evaporators used must comply with valid standards.

If the sauna stove used does not pass the combustion test (in accordance with standard EN 60335-2-53 paragraph 19.101), an appropriate safety precaution (e.g. installation of a cover protection rail) must be taken.

Any use other than the described use of the sauna control is considered improper use. This may lead to product damage, serious injuries or death.

2.1. Safety instructions for the installer

- Only an electrician or similarly qualified person may carry out the installation.
- Work on the sauna control may only be carried out when it is disconnected from the power supply.
- The instructions provided by the cabin manufacturer must also be followed when installing the sauna control.
- An all-pole disconnecting device in line with overvoltage category III must be used.
- The control unit is splash-water protected (IPX4) and suitable for ambient temperatures of 0 °C to + 80 °C.
- The temperature and humidity sensors must be installed in such a way that they are not affected by air currents.
- The electric line to the stove must have a minimum cross-section of 2.5 mm² and be temperature-resistant up to 150 °C.
- In the case of installation in public saunas, a control lamp, which indicates whether the sauna stove or evaporator is switched on, must be provided in the supervisor's room.
- If you have questions that are not adequately covered in the installation instructions, contact your supplier.

2.2. Safety instructions for the user

- The sauna control must not be used by children under the age of 8.
- The sauna control may only be used by children over the age of 8, by persons with reduced sensory or mental capacities and by persons with a lack of experience and knowledge under the following conditions: if they are supervised or if they have been shown how to use the sauna control safely and they understand the dangers that can arise.
- Children must not play with the device.
- Children under 14 years of age may only clean the sauna control under supervision.
- For health reasons, do not use the control if you are under the influence of alcohol, medications or drugs.
- Before start-up, make sure that the sauna stove and the evaporator are not covered (risk of fire)!
- When using the "remote start" function, inspect the cabin and make sure that there are no flammable objects on the sauna stove or evaporator.
- When using the "pre-set time" function, inspect the cabin and make sure that there are no flammable objects on the sauna stove or evaporator.
- Persons at risk of overheating (e.g. with cardiovascular diseases) should consult their doctor, in case of doubt, before using an infrared or sauna cabin.
- For your own safety, if you experience any problems that are not extensively covered in the instructions for use, contact your supplier.

3. Product description

3.1. Scope of supply

- Power unit
- Control unit
- Stove sensor with safety temperature limiter (STB) F1
- Bench sensor (humidity and temperature sensor) FTS2
- Data line for control unit power unit 5 m
- Sensor cable F1 4.5 m
- Sensor cable FTS2 4.5 m
- Installation material for control unit and sensors
- Instructions for installation and use

3.2. Product functions

The sc-1-black sauna control is suitable for controlling and regulating a sauna stove with up to 3x 3.5 kW (10.5 kW total). Both Finnish sauna stoves and combined stoves (stove with evaporator) with an evaporation power of up to 3.5 kW can be operated.

The temperature can be set from 30 °C to 105 °C in 1 °C increments. Depending on the temperature set, the humidity can be set in a range from 10% to 80% in 5% increments.

In addition, the control can also run a fan and a light from 10-100% (in 10% increments). When using LED lighting, a dimmable power supply is recommended (e.g. "LED-dim-75" or "LED-dim-100").

The pre-set time can be set from 5 minutes to 9 hours (in 5 minute increments).

The automatic operating time limit is pre-set to 6 h by default and can be set from 1-12 h*.

* The maximum permitted operating time for private saunas is 6 h. This value may be extended to up to 12 h for saunas in hotels, residential blocks etc.

4. Installation

4.1. Installing the power and control units

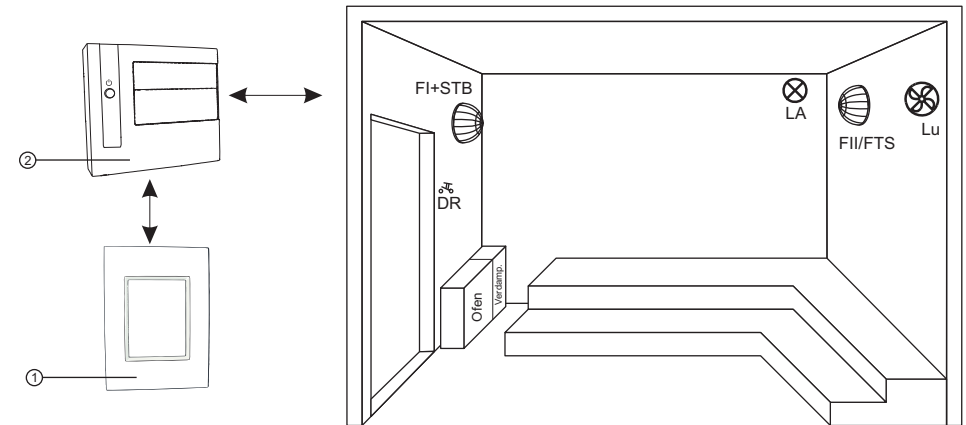


Fig. 1 Schematic sauna configuration

We recommend installing the control unit next to the sauna cabin door at a height of approx. 1.7 m (see Fig. 1/Item 1).

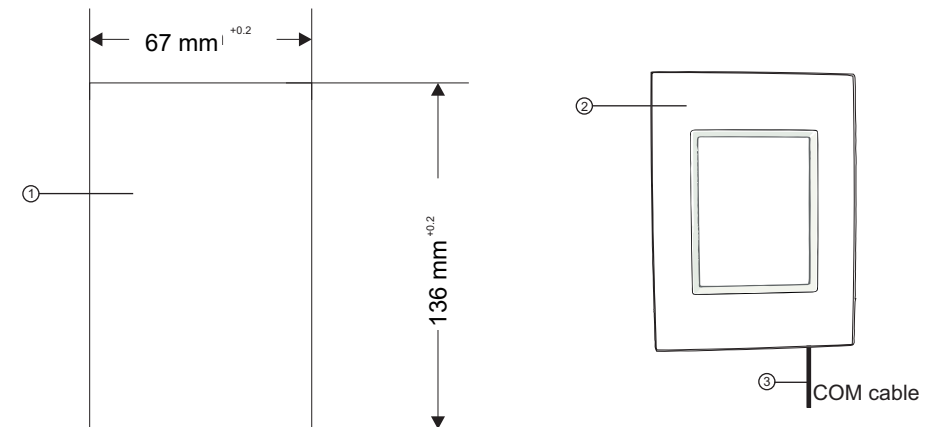


Fig. 2 Control unit cut-out

To install the control unit, provide an opening with the dimensions 67 x 136 mm at the intended installation position (see Fig. 2/Item 1). For the depth of the cut-out, consider the thickness of the cabin wall. After completing the cut-out, the control unit housing is positioned in the shaft (see Fig. 2/Item 2) and affixed using the four screws provided (Fig. 3). The control unit is then inserted (see Fig. 4) – held by clips. During installation, pay attention to positioning and routing of the data line (see Fig. 2/Item 3).

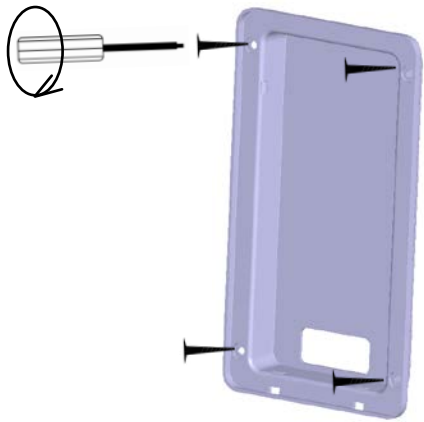


Fig. 3 Tightening the screws

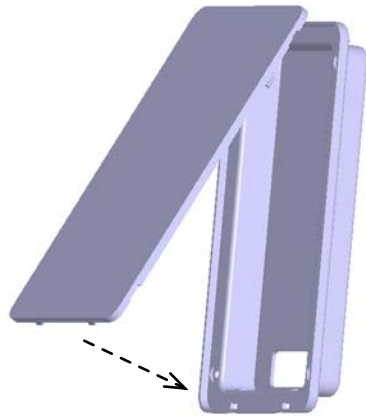


Fig. 4 Inserting the control unit

ATTENTION
When connecting the data line, ensure that the plug is correctly aligned (see Fig. 5). If the connection is incorrect, the control unit can be irreparably damaged.

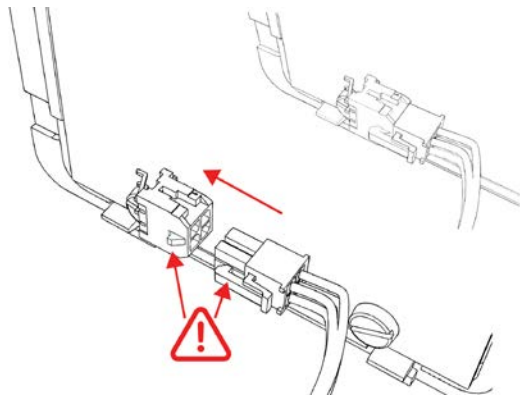


Fig. 5 Connecting the data line
Installation instructions for experts

The power unit (see Fig. 1/Item 2) can be installed on the ceiling or on the cabin wall. Power is supplied via permanent connection. The quality of the power cable must be at least type H07RN-F.

1. Using a slotted screwdriver, carefully press open (Fig. 6/Item 8) and remove the cover.
2. Tighten the screw provided at the intended installation position for the power unit, ensuring a distance of 7 mm between the cabin wall and head of the screw (see Fig. 6 for details).
3. Hang the housing on the installed screw (see Fig. 6/Item 2).
4. Once you are finished connecting the electrics (see Section 5.1), tighten the two screws (Fig. 6/Item 6 and Item 9).
5. Put the cover back on – press at the top and bottom until you hear a click.

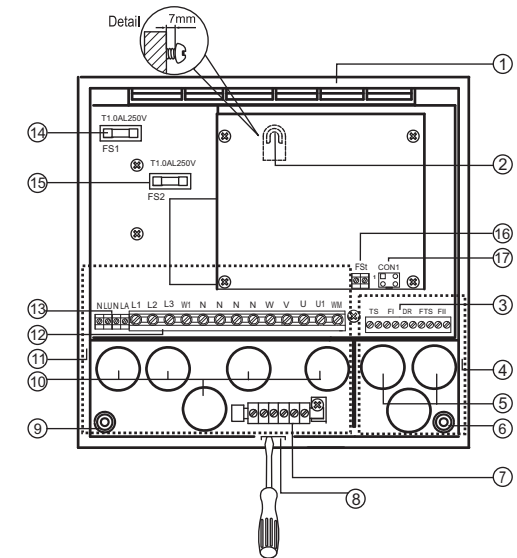



Fig. 6 Installing the power unit

ATTENTION
The control is protected according to protection category IPX4 (splash-water protected). Direct contact with water must be avoided! Install the control in a dry location. Be sure to consider the permitted ambient conditions: Temperature range -10 °C to 40 °C and a maximum relative humidity of 90%.

4.2. Installing stove sensor F1

Install the F1 sensor with built-in safety temperature limiter at the centre above the stove with a distance of 15 cm to the ceiling. Note the instructions provided by the stove manufacturer with regard to the installation position.

1. Connect the lines (Fig. 7/Item 1) on the stove sensor as shown (Fig. 7/Item 3).
2. Fasten the stove sensor to the wall at the centre above the sauna stove at a distance of 15 cm to the ceiling using the screws provided. The screws are guided through the openings (Fig. 7/Item 2).

 **ATTENTION**
The sensor lines must be laid separately from the live lines of the stove, evaporator or control.

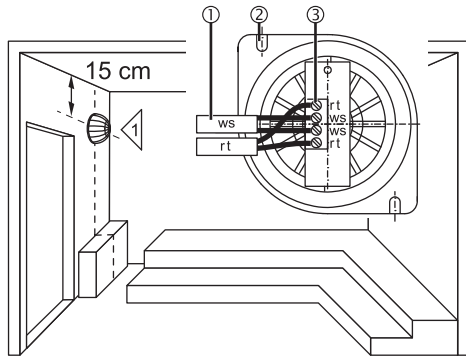



Fig. 7 Installing stove sensor F1

4.3. Installing bench sensor FTS2

The FTS2 sensor is installed at the centre, on the wall opposite the stove. A distance of 20 cm to the ceiling must be observed.

1. Connect the lines (Fig. 8/Item 1) on the bench sensor as shown (Fig. 8/Item 3).
2. Fasten the bench sensor to the wall at the centre above the sauna bench at a distance of 20 cm to the ceiling using the screws provided. The screws are guided through the openings (Fig. 8/Item 2).

 **ATTENTION**
The sensor lines must be laid separately from the live lines of the stove, evaporator or control.

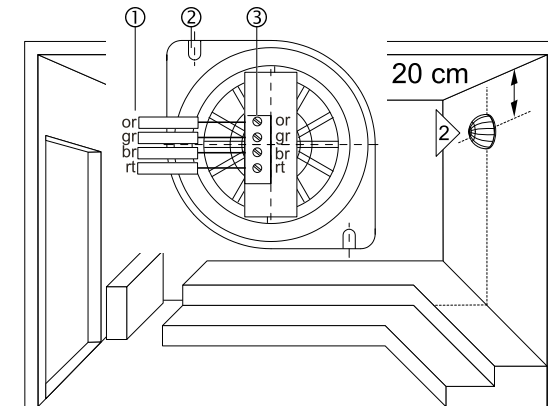


Fig. 8 Installing bench sensor FTS2

5. Electrical connection

5.1. Connecting the power unit

1. Guide the lines for the stove sensor (F1) and the bench sensor (FTS2) through the holes (Fig. 6/Item 5) into the low-voltage section (Fig. 6/Item 4) and connect them to the terminal (Fig. 6/Item 3) in accordance with the circuit diagram (Fig. 9).
2. Guide the lines for the (optional) door contact switch through the holes (Fig. 6/Item 5) into the low-voltage section (Fig. 6/Item 4) and connect them to the terminal (Fig. 6/Item 3) in accordance with (Fig. 9). Note: The door contact switch is not included in the scope of supply. A jumper is installed on terminal "DR" at the factory.
3. Guide the data lines for the control unit through the holes (Fig. 6/Item 5) into the low-voltage section (Fig. 6/Item 4) and connect them to the terminal (Fig. 6/Item 17) in accordance with (Fig. 9).
4. Guide the lines for the fan and light through the holes (Fig. 6/Item 10) into the 230/400 V voltage section (Fig. 6 /Item 11) and connect them to the terminal (Fig. 6/Item 13) in accordance with (Fig. 9).
5. Guide the lines for connecting the sauna stove (and if applicable: the evaporator) through the holes (Fig. 6/Item 10) into the 230/400 V voltage section (Fig. 6/Item 11) and connect them to the terminal (Fig. 6/Item 12) in accordance with (Fig. 9).
6. Connect the earthing cable to the terminal (Fig. 6/Item 7).



ATTENTION

The sc-1-black sauna control can be used to control up to three circuits with a maximum power of 3.5 kW. Optionally, the control can be increased to 18 kW-30 kW with a power extension (connection: terminal W1, Fig. 6/Item 12).



ATTENTION

When connecting the data line, ensure that the plug is correctly aligned (see Fig. 5 / page 10). If the connection is incorrect, the control unit can be irreparably damaged.

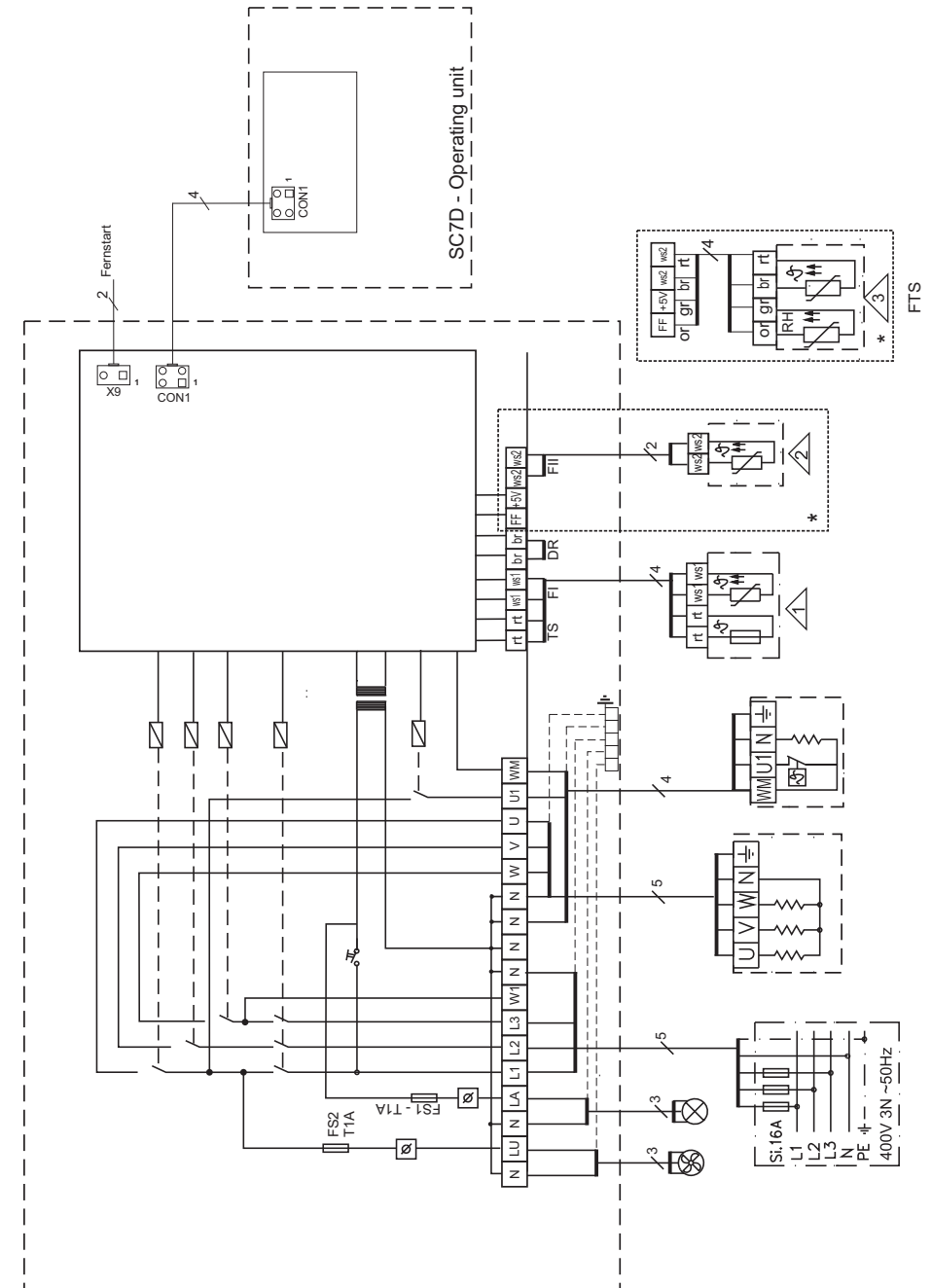


Fig. 9 Circuit diagram

5.2. Connecting a door contact switch

If using a door contact switch, install it in accordance with the instructions provided by the manufacturer. The door contact switch is connected to the terminal DR (see Fig. 6/Item 3). A jumper is installed on terminal "DR" at the factory.

5.3. Connecting a switch for remote start

If using a switch to trigger remote start, connect it to terminal "FSt" (see Fig. 6/Item 16).



DANGER

The input for the remote start is a potential-free contact. Therefore don't use external voltage.



WARNING

Just before activating the sauna, remote start or the pre-set time, make sure that there are no flammable objects on the sauna stove or evaporator.

5.4. Final testing



WARNING

The following tests are performed with the control switched on; there is a risk of electric shock.

The following tests must be performed by an electrician.

1. Check to ensure that all earthing lugs are connected correctly.
2. Remove one of the red lines from the safety temperature limiter (STB) (Fig. 7/Item 3). The control must then display an STB error (E01) and the stove must switch off automatically.
3. Remove one of the white lines from stove sensor F1 (Fig. 7/Item 3). The control must then display a stove sensor error (E02) and the stove must switch off automatically.
4. Short-circuit the terminals for stove sensor F1 (Fig. 7/Item 3). The control must then display a stove sensor error (E02) and the stove must switch off automatically.
5. Check correct connection and the voltage of phases L1, L2, L3 to U, V, W (sauna stove).
6. Check correct connection and the voltage of phases L1 and U1 (evaporator).

EN

5.5. Error messages

E01 "STB error": Line break of the red lines for the safety temperature limiter or defective safety temperature limiter (e.g. due to temperature having been exceeded).

E02 "Stove sensor error": Line break or short-circuit of the white lines for the stove sensor or defective stove sensor.

E03 "Bench sensor error": Line break or short-circuit of the white lines for the bench sensor or defective bench sensor.

E04 "Control unit transmission error": Defective communication line between the power and control units.

6. Start-up

6.1. General information about these instructions

- Read the operating instructions carefully before using the device. This protects you against possible injuries.
- If you have any problems or questions that are not dealt with in detail in these instructions, contact your dealer.
- Changes or modifications to the sauna control can put safe operation at risk and invalidate warranty and guarantee claims.
- Keep these instructions near the control to be able to consult important information on safety and operating the control.

6.2. General safety instructions

- Before switching the sauna control on, make sure that there are no (flammable) objects on the sauna stove or evaporator.
- Switch the main fuse of your sauna off if you will not be using it for a longer period of time (e.g. during the summer).

6.3. Control operating elements

1. "Stop/start" button
2. Button for reducing the value of the selected setting
3. Button for increasing the value of the selected setting
4. Button for selecting the temperature setting
5. Button for switching the sauna cabin light on/off and dimming it
6. Button for selecting the pre-set time (in 5 minute increments; in a range of up to 9 hours)
7. Button for selecting the humidity (in 5% increments; in a range from 10% to 80% depending on the selected temperature; when under 10%, the evaporator is switched off)
8. Button for selecting the fan speed (in 10% increments; in a range from 10% to 100%; when under 10%, the fan is switched off)
9. Button for selecting the operating time (in 1 hour increments; in a range of up to 12 hours)



Fig. 10 Control operating elements

6.4. Sauna control operating modes

You can choose between different operating modes: "Finnish sauna" and "Steam sauna". The following pages explain how to select the possible operating modes.

You can start operation immediately or select a pre-set time after which the sauna starts automatically.

The "Finnish sauna" operating mode is a "dry sauna" with a temperature range that can be set from 30 to 105 °C.

For the "Steam sauna" operating mode, a combined stove or additional evaporator has to be installed. A sauna temperature of 30 to 60 °C as well as a humidity of up to 80% rel. can be selected. Based on standard EN 60335, it is not possible to select temperatures higher than 60 °C in the "Steam sauna" operating mode.

After ending the "Steam sauna" operating mode, the drying programme starts automatically ("dry" is shown on the display) to dry the remaining moisture in the cabin.

If your sauna cabin has a cabin fan, it can be switched on in this operating mode.

6.5. Switching the control and light on/off



WARNING

Just before activating the sauna, remote start or the pre-set time, make sure that there are no flammable objects on the sauna stove or evaporator.

Switching the control on:

1. If your control is in standby mode, the "On/off button" will be lit up (Fig. 10/Item 1).
2. Switch the device on by pressing the "On/off button" (Fig. 10/Item 1).
3. Now, all* symbols will light up; the device displays the "home screen". On the home screen, you can select the respective function to change all control settings.
4. To do so, press the desired function button (temperature, light, pre-set time, humidity, fan, operating time).
5. Use the "Up" (Fig. 11/Item 3) or "Down" (Fig. 11/Item 2) buttons to change the settings.
6. To save the selected value, press the corresponding function button again.

* If the "Evaporator" function has been deactivated, the "Humidity symbol" (Fig. 10/Item 7) will not be lit. To activate the function, see 6.12.

If the "Holiday home mode" function has been activated, only the "Temperature" and "Light symbols" will be lit up. To deactivate the function, see 6.13.

Switching the control off

1. If you do not plan to use the control for a longer period of time or are finished with your sauna session, switch the control off by pressing the "On/off button" (Fig. 10/Item 1).
2. Now, only the "On/off button" is lit up; the sauna control is in standby.

Switching the light on/off and dimming

1. Press the "Light button" (Fig. 11/Item 5)
2. The "Light symbol" will then light up brighter.
3. Use the "Up" (Fig. 11/Item 3) or "Down" (Fig. 11/Item 2) buttons to change the brightness.
4. Press the "Light button" (Fig. 11/Item 5) again to save the selected value.
5. Press the "On/off button" (Fig. 10/Item 1) to start the sauna with the set values.

If you do not press any buttons for more than 5 seconds, setting the lighting level will be exited automatically without saving any changes.

EN



Fig. 11 Switching the light on/off and dimming

6.6. Switching on the "Finnish sauna" operating mode



WARNING

Just before activating the sauna, remote start or the pre-set time, make sure that there are no flammable objects on the sauna stove or evaporator.

1. Switch the control on as described in 6.5. The control displays the "home screen".
2. Press the "Temperature button" (Fig. 12/Item 4).
3. The "Temperature symbol" will then light up brighter.
4. Use the "Up" (Fig. 10/Item 3) or "Down" (Fig. 10/Item 2) buttons to select the desired temperature.
5. Press the "Temperature button" (Fig. 12/Item 4) again to save the selected target temperature.
6. Press the "On/off button" (Fig. 10/Item 1) to start the sauna with the set values.
7. The display now shows the current temperature and humidity in the sauna cabin.

If you do not press any buttons for more than 5 seconds, setting the temperature will be exited automatically without saving any changes.

Once the sauna session is finished, switch the device off as described in 6.5.

6.7. Switching on the "Steam sauna" operating mode



WARNING

Just before activating the sauna, remote start or the pre-set time, make sure that there are no flammable objects on the sauna stove or evaporator.

1. Switch the control on as described in 6.5. The control displays the "home screen".
2. Press the "Temperature button" (Fig. 12/Item 4).
3. The "Temperature symbol" will then light up brighter.
4. Use the "Up" (Fig. 10/Item 3) or "Down" (Fig. 10/Item 2) buttons to select the desired temperature.

5. Press the "Temperature button" (Fig. 12/Item 4) again to save the selected target temperature. The possible temperature range for the "Steam sauna" operating mode is 40-60 °C.
6. Press the "Humidity button" (Fig. 12/Item 7).
7. Use the "Up" (Fig. 10/Item 3) or "Down" (Fig. 10/Item 2) buttons to select the desired humidity.
8. Press the "Humidity button" (Fig. 12/Item 7) again to save the selected target humidity.
9. Press the "On/off button" (Fig. 10/Item 1) to start the sauna with the set values.
10. The display now shows the current temperature and humidity in the sauna cabin.

The evaporator switches on from a temperature of 40 °C. If the water level is too low, the control will show the message "fill".

If you do not press any buttons for more than 5 seconds, setting the humidity will be exited automatically without saving any changes.



Before starting the "Steam sauna" operating mode, make sure that there is enough water in the evaporator.

11. To switch the evaporator off, select a humidity of 0%.

Once the sauna session is finished, switch the device off as described in 6.5.

Once the operating time is over or the control is switched off, the display shows "dry" and the drying programme starts. The cabin is heated to 80 °C and the fan is turned on repeatedly. The drying programme takes approx. 20 minutes.

By default, the evaporator is always switched off when the control is started. The selected humidity value is not saved when the sauna is switched off.



Fig. 12 Switching on the "Finnish sauna" or "Steam sauna" operating mode

6.8. Switching the fan on/off



WARNING

Just before activating the sauna, remote start or the pre-set time, make sure that there are no flammable objects on the sauna stove or evaporator.

1. Press the "Fan button" (Fig. 13/Item 8).
2. This symbol will then light up brighter
3. Use the "Up" (Fig. 10/Item 3) or "Down" (Fig. 10/Item 2) buttons to select the desired fan intensity.
4. Press the "Fan button" (Fig. 13/Item 8) again to save the selected value.
5. If the sauna has already been started, the display will now show the current temperature and humidity in the sauna cabin. If only the "On/off button" (Fig. 10/Item 1) is lit up, the control displays the "home screen". Press the "On/off button" (Fig. 10/Item 1) to start the sauna with the set values.

EN

If you do not press any buttons for more than 5 seconds, setting the fan speed will be exited automatically without saving any changes.

The fan speed can be set from 10%-100%, where 0% means the fan is off.

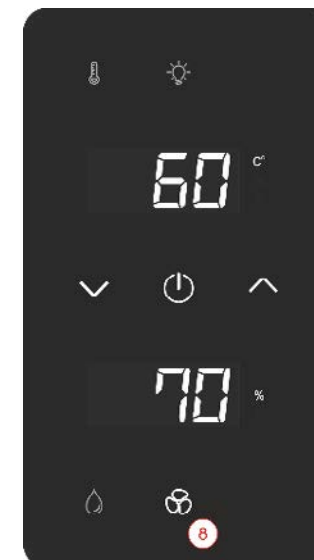


Fig. 13 Switching the fan on
Instructions for use for the user

6.9. Remote start



WARNING

Just before activating the sauna, remote start or the pre-set time, make sure that there are no flammable objects on the sauna stove or evaporator.

If the electrical switch is installed on terminal "X9 - FSt", the control can be started remotely when closing the switching contact. After remote start is triggered, the sauna starts with the most recently used settings.

The evaporator is always switched off in case of remote start.

6.10. Setting a pre-set time

By selecting a pre-set time, the sauna is started automatically after the specified time. The time range can be set from 5 minutes to 9 hours.

Please also note section 6.12 "Function of the (optional) door contact switch".



WARNING

Just before activating the sauna, remote start or the pre-set time, make sure that there are no flammable objects on the sauna stove or evaporator.

1. Switch the control on as described in 6.5. The control displays the "home screen".
2. Set the desired values for temperature, fan, evaporator and the operating time as described above.
3. To activate the pre-set time, press the "Pre-set time button" (Fig. 14/Item 6).
4. This symbol will then light up brighter
5. Use the "Up" (Fig. 10/Item 3) or "Down" (Fig. 10/Item 2) buttons to select the desired pre-set time (hh:mm).
6. Press the "On/off button" (Fig. 10/Item 1) to save the selected value.

7. Press the "On/off button" (Fig. 10/Item 1) to start the sauna with the configured pre-set time and the previously selected settings.

If you do not press any buttons for more than 5 seconds, setting the pre-set time will be exited automatically without saving any changes.

8. The display now shows the remaining time until the sauna starts (hh:mm) – see Fig. 15.
9. Once the desired time has elapsed, the sauna control switches on with the set values.

Once the sauna session is finished, switch the device off as described in 6.5.

Cancelling the pre-set time:

1. Press the "On/off button" (Fig. 10/Item 1).
2. The selected pre-set time is cancelled. The device switches off and goes into standby mode. (No time is shown.)

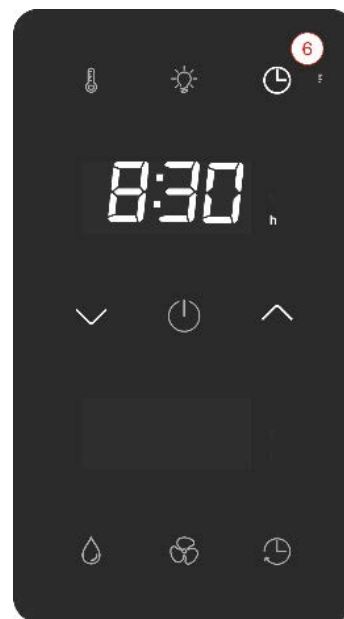


Fig. 14 Pre-set time button
Instructions for use for the user

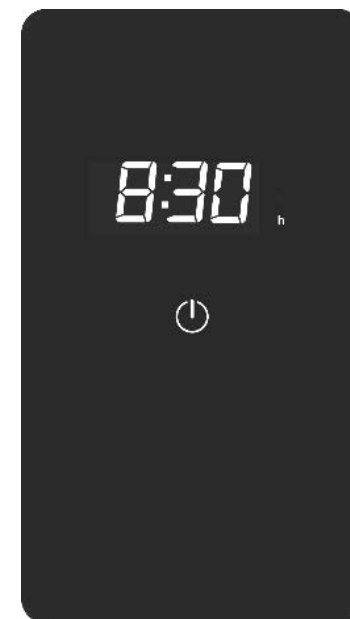


Fig. 15 Remaining time
p. 27/40

6.11. Setting the operating time

After the maximum operating time (after 12 hours at the latest), the control switches the stove and the evaporator off and switches to standby mode.

1. Press the "Operating time button" (Fig. 10/Item 9).
2. This symbol will then light up brighter.
3. Use the "Up" (Fig. 10/Item 3) or "Down" (Fig. 10/Item 2) buttons to select the desired operating time.
4. Press the "Operating time button" (Fig. 10/Item 9) again to save the selected value.
5. If the sauna has already been started, the display will now show the current temperature and humidity in the sauna cabin. If only the "On/off button" (Fig. 10/Item 1) is lit up, the control displays the "home screen". Press the "On/off button" (Fig. 10/Item 1) to start the sauna with the set values.

If you do not press any buttons for more than 5 seconds, setting the operating time will be exited automatically without saving any changes.

The operating time can be set from 1 – 12 h.



WARNING

The default value for the operating time is 6 h. It can be set from 1 – 12 h. However: The maximum permitted operating time for private saunas is 6 h. This value may only be extended to up to 12 h for saunas in hotels, residential blocks etc.

6.12. Function of the (optional) door contact switch

To prevent sauna fires, the cabin door is monitored when the pre-set time has started.

This is intended to prevent objects from being placed on the sauna stove accidentally during an ongoing pre-set time, which could result in a fire.

"Pre-set time running" status:

If the pre-set time function is activated and the sauna door is then opened, the control shows "door" and resets the set pre-set time – the sauna does not start automatically. After the door is closed, the pre-set time therefore has to be set again.

"Stove heating up" status:

If the sauna has already been started and the **current temperature is less than 40 °C**, "door" is shown when the door is opened and the sauna stove is switched off. To continue operating the sauna, the door must be closed and the sauna restarted with the "On/off button" (Fig. 10/Item 1).

If the sauna is already running and the **current temperature is higher than 40 °C**, "door" is shown when opening the door (for more than 5 seconds). The sauna stove is switched off and switches back on when the door is closed.



WARNING

Just before activating the sauna, remote start or the pre-set time, make sure that there are no flammable objects on the sauna stove or evaporator.

EN

6.13. Deactivating/activating the evaporator function

At the factory, the control is configured to operate a sauna stove with evaporator. If you do not need this function, you can deactivate it as follows:

1. If your control is in standby mode, the "On/off button" will be lit up (Fig. 10/Item 1).
2. Now press the "On/off button" (Fig. 10/Item 1) and the "Temperature button" (Fig. 10/Item 4) at the same time for approx. 4 seconds.
3. The evaporator function is now deactivated/activated.

After the control is switched on (Section 6.5), the "Humidity symbol" (Fig. 10/Item 7) is no longer lit up. This function is activated in the same way.

6.14. Activating/deactivating holiday home mode

At the factory, the control is configured so that all functions can be used. If this is not desired (e.g. for holiday homes), you can restrict the control to the "Temperature" and "Light" functions.

1. First, configure and save the values for "Operating time" (6.14) and "Fan" (6.8). These values cannot be changed in holiday home mode.
2. Switch to standby. If your control is in standby mode, the "On/off button" will be lit up (Fig. 10/Item 1).
3. Now press the "On/off button" (Fig. 10/Item 1) and the "Light button" (Fig. 10/Item 5) at the same time for approx. 4 seconds.
4. The holiday home function is now activated/deactivated.

After the control is switched on (Section 6.5), only the "Temperature" and "Light" functions can now be controlled. This function is deactivated in the same way.

6.15. Control operating modes

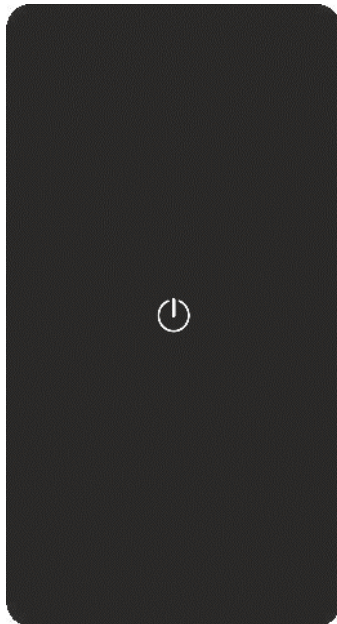


Fig. 16 Sauna control in standby

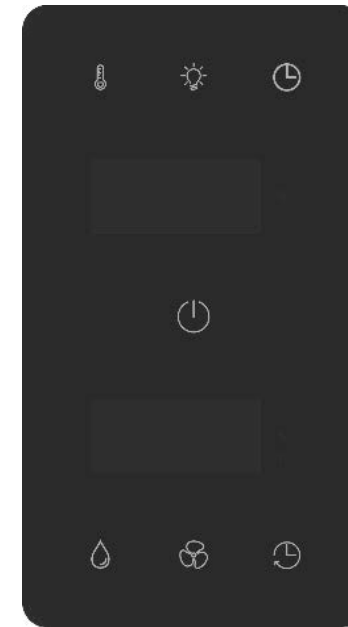


Fig. 17 Sauna control displays the "home screen"

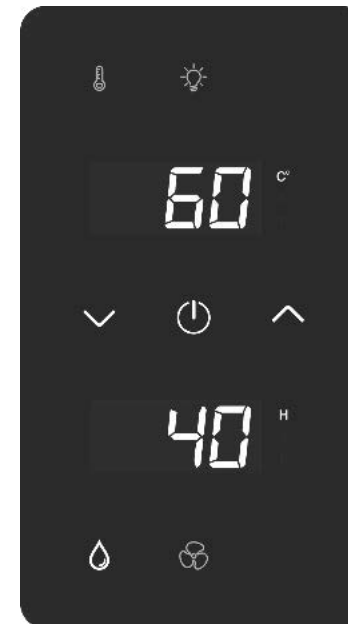


Fig. 18 The sauna is started – the current temperature and humidity are shown

6.16. Sauna control status messages

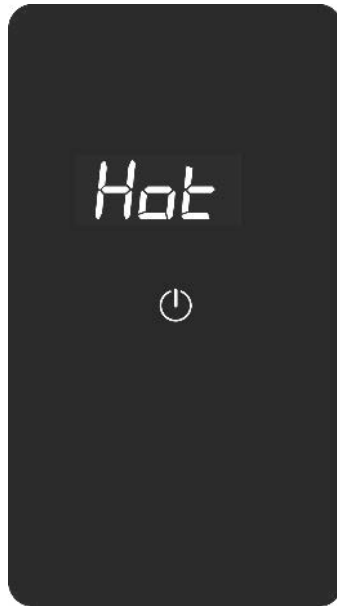


Fig. 19 "Hot" – when trying to turn on the steam sauna function but the temperature in the cabin is more than 60 °C

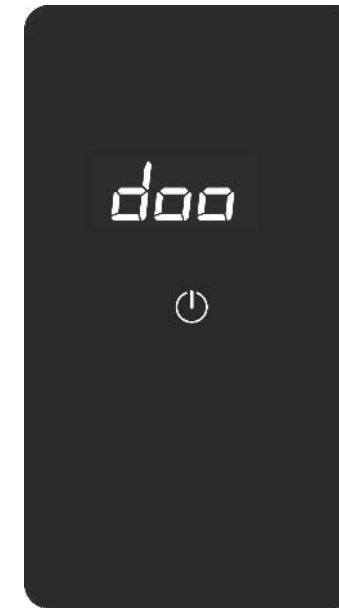


Fig. 21 "door" – the sauna cabin door is open (only displayed if a door contact switch is installed)

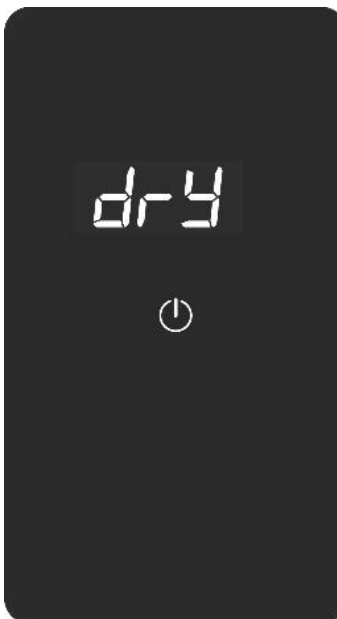


Fig. 20 "dry" – drying programme in progress
Instructions for use for the user

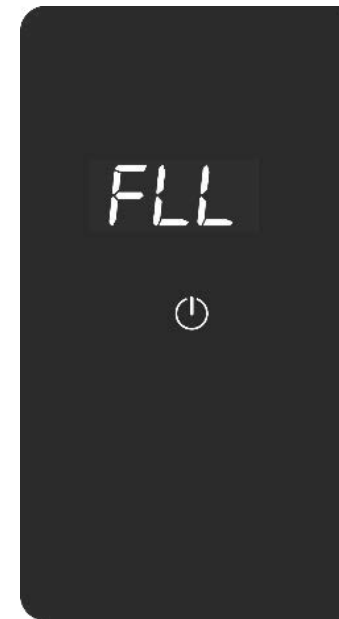


Fig. 22 "FLL" - water level in the evaporator low
Instructions for use for the user

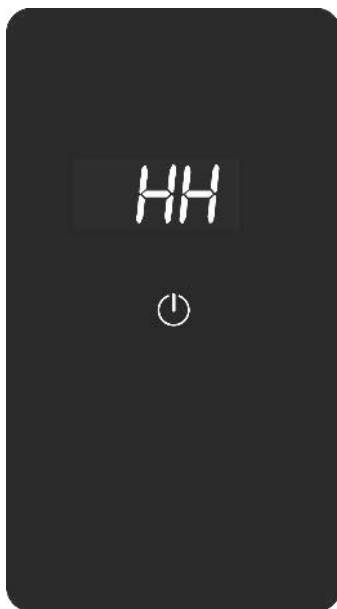


Fig. 23 "HH" – temperature of one of the two sensors over 130 °C

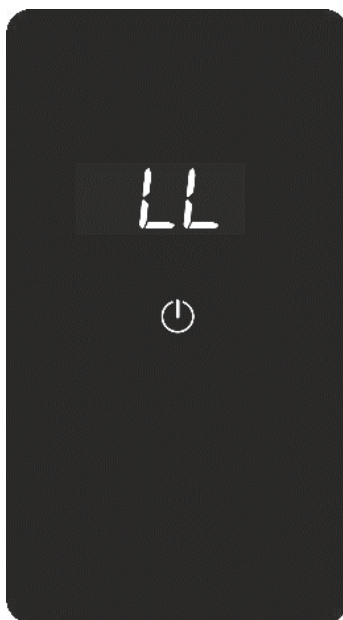


Fig. 24 "LL" – temperature of one of the two sensors under 0 °C
Instructions for use for the user

6.17. Error messages

Possible errors are indicated by the following error codes on the display. In the event of an error, note down the error code (e.g. E01), disconnect the main fuse and then contact a service technician or your dealer.

Description of the error code:

E01 "STB error": Line break of the red lines for the safety temperature limiter or defective safety temperature limiter (e.g. due to temperature having been exceeded).

E02 "Stove sensor error": Line break or short-circuit of the white lines for the stove sensor or defective stove sensor.

E03 "Bench sensor error": Line break or short-circuit of the white lines for the bench sensor or defective bench sensor.

E04 "Control unit transmission error": Defective communication line between the power and control units.

EN

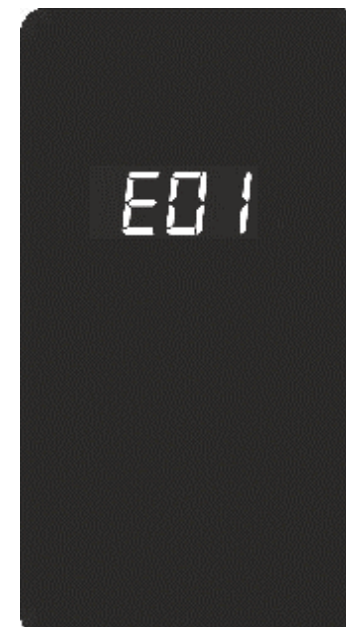


Fig. 25 Display for error message "E01"

7. Troubleshooting

7.1. Operating time exceeded

After the maximum operating time (after 12 hours at the latest), the control switches the sauna stove and the evaporator off and switches to standby mode.

1. Press the "Operating time button" (Fig. 26/Item 9) to restart the control.
2. This symbol will then light up brighter
3. Use the "Up" (Fig. 10/Item 3) or "Down" (Fig. 10/Item 2) buttons to select the desired operating time.
4. Press the "Operating time button" (Fig. 26/Item 9) again to save the selected value and restart the sauna.

If you do not press any buttons for more than 5 seconds, setting the operating time will be exited automatically without saving any changes.

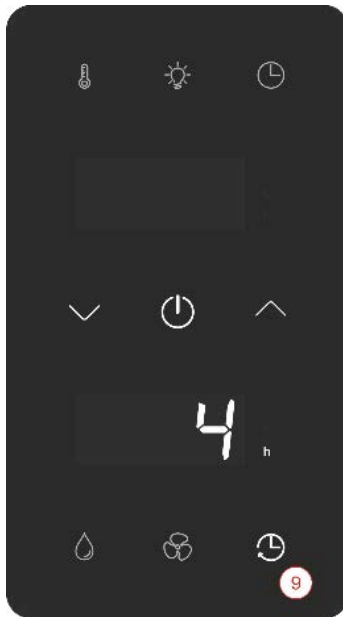


Fig. 26 Setting the operating time

7.2. Cabin light not working

1. Switch the sauna control off by pressing the "On/off button" (Fig. 10/Item 1).
2. Switch the main fuse off.
3. Replace the lamp in the cabin light.
4. Switch the main fuse on and press the "On/off button" (Fig. 10/Item 1).
5. If the cabin light still isn't working, contact a service technician or your dealer.

8. Cleaning

Clean the front of the control or power unit with a soft cloth and warm water as necessary.

Do not clean using steam cleaners, high-pressure cleaners or sprayed water.

9. Disposal



The packaging materials must be disposed of in accordance with the applicable guidelines.

Old devices contain recyclable materials as well as harmful substances so do not dispose of these as residual waste; ensure compliance with the applicable regulations.

10. Technical data

10.1. Power unit

Ambient conditions

Storage temperature: - 25 °C to + 70 °C

Operating temperature: - 10 °C to + 40 °C

Humidity: max. 95%

Maximum cable lengths

F1 sensor: 4.5 m

FTS2 sensor: 4.5 m

Communication line (power unit – control unit): 15 m

Dimensions (W x H x D): 242 x 214 x 84 mm

Switched voltage: 3N 400 V AC / 50 Hz

Sauna stove switched power: 3 x 3.5 kW (10.5 kW)

Switched current per phase/sauna stove: 16 A

Evaporator switched power: 3.5 kW

Evaporator switched current: 16 A

Fan switched power: 100 W

Light switched power: 100 W

Protection class: splash-water protected IPX4

The sauna control must be permanently connected to the mains.

Setting ranges

Temperature: 30 °C to 105 °C

Humidity: 10% to 80% rel.

Safety systems

Safety temperature limiter (STB) switch-off temperature: 139 °C

Automatic operating time limit: 6 h by default (can be set from 1-12 h*)

* The maximum permitted operating time for private saunas is 6 h. This value may be extended to up to 12 h for saunas in hotels, residential blocks etc.

Line cross-sections for connection

Power supply line: min. 5 x 2.5 mm²

Stove line (temperature-resistant up to 150 °C): min. 2.5 mm²

Evaporator line (temperature-resistant up to 150 °C): min. 2.5 mm²

Sensor lines (temperature-resistant up to 150 °C): min. 0.5 mm²

Light line: min. 1.5 mm²

Fan line: min. 1.5 mm²

10.2. Control unit

Ambient conditions

Storage temperature: -25 °C to +70 °C

Ambient temperature: 0 °C to + 80 °C

Humidity: max. 99% rel.

Dimensions (W x H x D): 85.5 x 150 x 19 mm

Installation cut-out (W x H): 67 x 136 mm

Protection class: splash-water protected IPX4



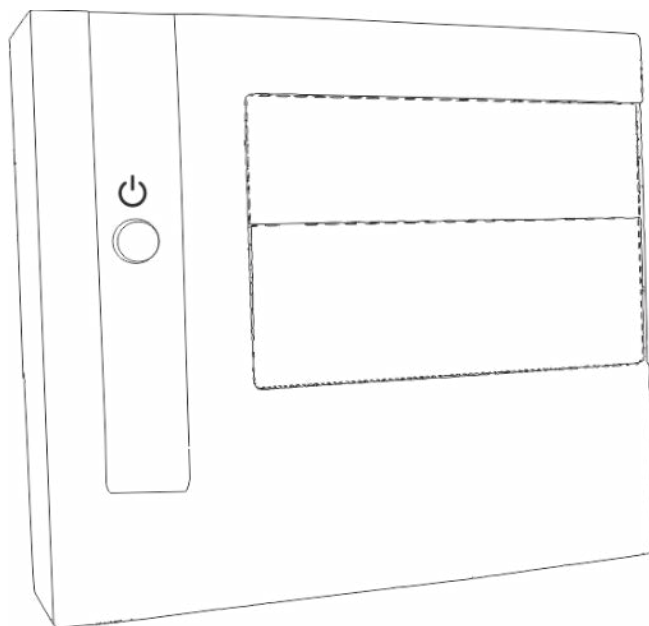
NARVI

Narvi Oy
Yrittäjäntie 1, 27230 Lappi, Finland
tel +358 20 7416 740
export@narvi.fi

NARVI

ND105 / Narvi Dual Saunasteuerung Touch schwarz

DE



MONTAGE- UND GEBRAUCHSANLEITUNG Deutsch

Inhalt

1. Wichtige Informationen zu dieser Anleitung	4
2. Wichtige Hinweise zu Ihrer Sicherheit	5
2.1. Sicherheitshinweise für den Monteur	6
2.2. Sicherheitshinweise für den Anwender	7
3. Produktbeschreibung	8
3.1. Lieferumfang	8
3.2. Produktfunktionen	8
4. Montage	9
4.1. Montage des Leistungs- und Bedienteils	9
4.2. Montage des Ofenfühlers F1	12
4.3. Montage des Bankfühlers FTS2	13
5. Elektrischer Anschluss	14
5.1. Anschluss des Leistungsteils	14
5.2. Anschluss eines Türkontaktschalters	16
5.3. Anschluss eines Schalters für Fernstart	16
5.4. Abschließende Prüfungen	17
5.5. Fehlermeldungen	17
6. Inbetriebnahme	18
6.1. Allgemeine Hinweise zu dieser Anleitung	18
6.2. Allgemeine Sicherheitshinweise	18
6.3. Bedienelemente der Steuerung	18
6.4. Betriebsarten der Saunasteuerung	19
6.5. Ein-/Ausschalten der Steuerung und der Beleuchtung	20
6.6. Einschalten der Betriebsart „finnische Sauna“	22
6.7. Einschalten der Betriebsart „Dampfsauna“	22
6.8. Ein-/Ausschalten des Lüfters	25
6.9. Fernstart	26
6.10. Einstellen einer Vorwahlzeit	26

6.11. Einstellen der Laufzeit	28
6.12. Funktion des (optionalen) Türkontaktschalters	28
6.13. Verdampferfunktion deaktivieren / aktivieren	29
6.14. Ferienhausmodus aktivieren / deaktivieren	30
6.15. Betriebszustände der Steuerung	30
6.16. Statusmeldungen der Saunasteuerung	32
6.17. Fehlermeldungen	35
7. Problemlösungen	36
7.1. Laufzeitüberschreitung	36
7.2. Kabinenbeleuchtung funktioniert nicht	37
8. Reinigung	37
9. Entsorgung	37
10. Technische Daten	38
10.1. Leistungsteil	38
10.2. Bedienteil	39

1. Wichtige Informationen zu dieser Anleitung

Bitte lesen Sie diese Anleitung vor der Montage und Inbetriebnahme aufmerksam durch. Bewahren Sie die Anleitung anschließend in der Nähe Ihrer Saunakabine auf, um jederzeit wichtige Informationen nachlesen zu können

Warnhinweise und Signalwörter in dieser Anleitung

Mit besonders gekennzeichneten Warnhinweisen, wird von Tätigkeiten gewarnt von denen Gefahr ausgeht. Bitte beachten Sie diese um Sachschäden und Verletzungen zu vermeiden, welche im schlimmsten Fall sogar tödlich sein könnten.

Die verwendeten Signalwörter haben folgende Bedeutung:



ACHTUNG

Dieses Signalwort warnt vor Sachschäden, es besteht keine Verletzungsgefahr.



VORSICHT

Bei Nichtbeachtung dieses Hinweises sind Verletzungen möglich.



WARNUNG

Bei Nichtbeachtung dieses Hinweises sind schwere oder tödliche Verletzungen möglich.



GEFAHR

Bei nicht Beachtung dieses Hinweises sind schwere oder tödliche Verletzungen sehr wahrscheinlich.

Weitere Hinweise in dieser Anleitung / zu diesem Produkt



Durch dieses Symbol werden Hinweise und Tipps gekennzeichnet.



Warnung: Nicht Abdecken.



Bedienungsanleitung lesen.

2. Wichtige Hinweise zu Ihrer Sicherheit

Saunasteuerungen sind nach den gültigen Normen und anerkannten Regeln der Technik hergestellt. Trotzdem können Gefahren entstehen. Bitte beachten Sie daher die in den jeweiligen Abschnitten eingefügten Sicherheitshinweise. Diese sind durch die beschriebenen Signalwörter gekennzeichnet.

Bestimmungsgemäßer Gebrauch

Saunasteuerungen sind ausschließlich für die Steuerung und Regelung von Saunaöfen und Verdampfern, gemäß den technischen Daten, geeignet. Die verwendeten Saunaöfen oder Verdampfer müssen den gültigen Normen entsprechen.

Sollte der verwendete Saunaofen die Abdeckprüfung (gemäß der Norm EN 60335-2-53 Absatz 19.101) nicht erfüllen, ist eine entsprechende Sicherheitsvorkehrung (z.B. Montage einer Abschaltwippe) zu treffen.

Anderer als der beschriebene Gebrauch der Saunasteuerung gilt als nicht bestimmungsgemäßer Gebrauch. Dieser kann zur Beschädigung des Produkts, zu schweren Verletzungen oder Tod führen.

2.1. Sicherheitshinweise für den Monteur

- Die Montage darf nur durch eine Elektrofachkraft oder eine vergleichsweise qualifizierte Person ausgeführt werden.
- Arbeiten an der Saunasteuerung dürfen nur im spannungsfreien Zustand durchgeführt werden.
- Bei der Montage der Saunasteuerung sind auch die Hinweise des Kabinenherstellers zu beachten.
- Es ist eine allpolige Trennvorrichtung der Überspannungskategorie III vorzusehen.
- Das Bedienteil ist spritzwassergeschützt (IPX4) und für Umgebungstemperaturen von 0 °C bis + 80 °C geeignet.
- Die Temperatur- und Feuchtefühler sind so zu montieren, dass diese nicht durch strömende Luft beeinflusst werden.
- Die elektrische Leitung zum Ofen muss min. 2,5 mm² Querschnitt haben und 150 °C temperaturbeständig sein.
- Bei der Montage in öffentlichen Saunen, ist im Raum der Aufsichtsperson eine Kontrolllampe vorzusehen, welche anzeigt ob der Saunaofen oder der Verdampfer eingeschaltet ist.
- Bei Fragen die in der Montageanleitung nicht ausreichend behandelt werden, halten Sie Rücksprache mit Ihrem Lieferanten.

2.2. Sicherheitshinweise für den Anwender

- Die Saunasteuerung darf nicht von Kindern unter 8 Jahren verwendet werden.
- Die Saunasteuerung darf von Kindern über 8 Jahren, von Personen mit verringerten psychischen, sensorischen oder mentalen Fähigkeiten und von Personen mit Mangel an Erfahrung und Wissen nur unter folgenden Bedingungen verwendet werden: wenn sie beaufsichtigt werden oder wenn ihnen die sichere Verwendung gezeigt wurde und sie die Gefahren, die entstehen können, verstehen.
- Kinder dürfen nicht mit dem Gerät spielen.
- Kinder unter 14 Jahren dürfen die Saunasteuerung nur reinigen, wenn sie beaufsichtigt werden.
- Wenn Sie unter dem Einfluss von Alkohol, Medikamenten oder Drogen stehen, verzichten Sie aus gesundheitlichen Gründen auf die Benützung.
- Kontrollieren Sie vor der Inbetriebnahme, dass der Saunaofen und der Verdampfer nicht abgedeckt sind (Brandgefahr)!
- Bei der Verwendung der Funktion „Fernstart“, ist die Kabine vor der Durchführung zu besichtigen und sicherzustellen, dass keine brennbaren Gegenstände am Saunaofen oder Verdampfer liegen.
- Bei der Verwendung der Funktion „Vorwahlzeit“, ist die Kabine vor der Aktivierung der Funktion zu besichtigen und sicherzustellen, dass keine brennbaren Gegenstände am Saunaofen oder Verdampfer liegen.
- Personen bei denen das Risiko einer Überhitzung besteht (z.B. Herz-Kreislauf-Erkrankungen) sollten im Zweifelsfall vor der Benützung einer Infrarot- oder Saunakabine einen Arzt befragen.
- Bei Problemen, die in der Gebrauchsanleitung nicht ausführlich genug behandelt werden, wenden Sie sich zu Ihrer eigenen Sicherheit an Ihren Lieferanten.

DE

3. Produktbeschreibung

3.1. Lieferumfang

- Leistungsteil
- Bedienteil
- Ofenfühler mit Sicherheitstemperaturbegrenzer (STB) F1
- Bankfühler (Feuchte- und Temperaturfühler) FTS2
- Datenleitung Bedienteil-Leistungsteil 5 m
- Fühlerkabel F1 4,5 m
- Fühlerkabel FTS2 4,5 m
- Montagematerial für Bedienteil und Fühler
- Montage- und Gebrauchsanleitung

3.2. Produktfunktionen

Die Saunasteuerung sc-1-black ist zum Steuern und Regeln eines Saunaofen mit bis zu 3x 3,5 kW (gesamt 10,5 kW) geeignet. Es können sowohl finnische Saunaöfen als auch Kombiöfen (Ofen mit Verdampfer) mit einer Verdampferleistung bis 3,5 kW betrieben werden.

Die Temperatur kann von 30 °C bis 105 °C in 1 °C Schritten eingestellt werden. Die Luftfeuchte kann je nach eingestellter Temperatur in einem Bereich von 10 % bis 80 % in 5 % Schritten eingestellt werden.

Weiters kann mit der Steuerung ein Lüfter und ein Licht von 10 - 100 % betrieben werden (in 10 % Schritten). Bei der Verwendung einer LED-Beleuchtung, wird ein dimmbares Netzteil empfohlen (z.B. „LED-dim-75“ bzw. „LED-dim-100“).

Die Vorwahlzeit kann von 5 min bis 9 Stunden eingestellt werden (in 5 min Schritten).

Die automatische Laufzeitbegrenzung ist auf 6 h voreingestellt und von 1 – 12 h einstellbar*.

* Für private Saunen ist eine Laufzeitbegrenzung von 6 h vorgeschrieben. Diese darf für Saunen in Hotels, Wohnblöcken usw. auf bis zu 12 h erweitert werden.

4. Montage

4.1. Montage des Leistungs- und Bedienteils

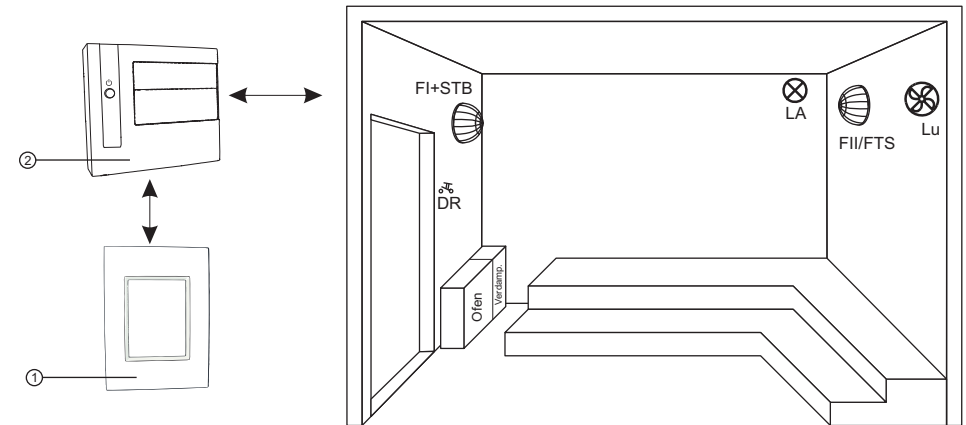


Abb. 1 Prinzipaufbau der Sauna

Die Montage des Bedienteils wird neben der Saunakabinttür in einer Höhe von ca. 1,7 m empfohlen (siehe Abb. 1 / Pos. 1).

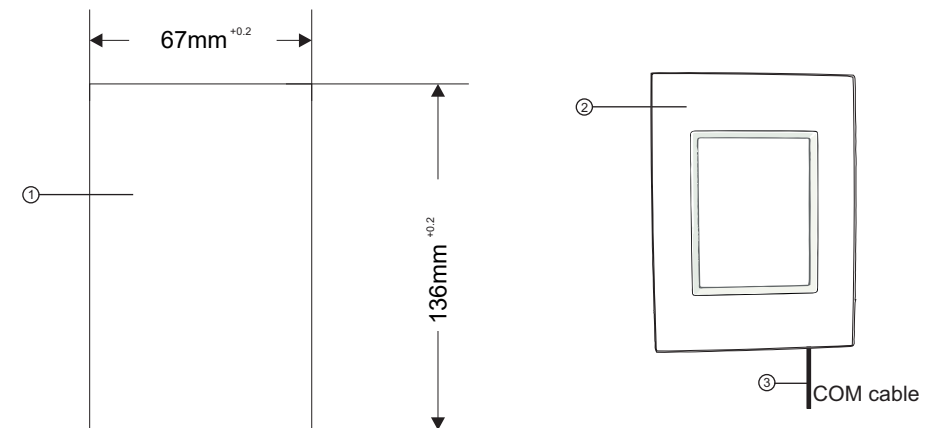


Abb. 2 Ausschnitt Bedienteil

Für die Montage des Bedienteils ist, an der gewünschten Montageposition, eine Öffnung mit den Abmessungen 67 x 136 mm vorzusehen (Siehe Abb. 2 / Pos. 1). Bei der Tiefe des Ausschnitts ist die Dicke der Kabinenwand zu berücksichtigen. Nach Fertigstellung des Ausschnitts wird das Gehäuse des Bedienteils im Schacht (siehe Abb. 2 / Pos. 2) positioniert und mit den vier beiliegenden Schrauben (Abb. 3) fixiert. Anschließend wird das Bedienteil eingesetzt (siehe Abb. 4) - dieses haltet durch Clips. Beachten sie bei der Montage die Positionierung und Kabelführung der Datenleitung (siehe Abb. 2 / Pos. 3).

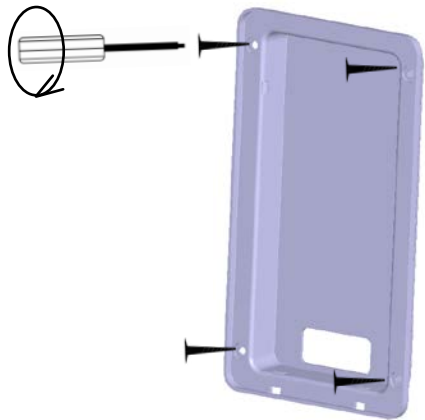


Abb. 3 Eindrehen der Schrauben

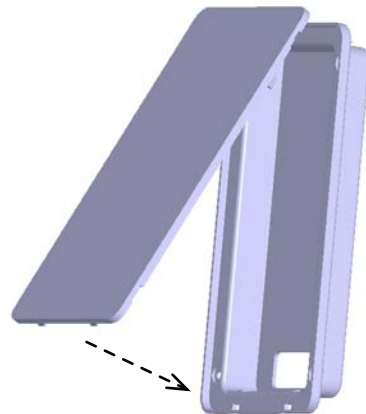


Abb. 4 Einsetzen des Bedienteils



ACHTUNG

Beachten Sie beim Verbinden der Datenleitung, die korrekte Ausrichtung des Steckers (siehe Abb. 5). Bei falschem Anschluss kann das Bedienteil irreparabel beschädigt werden.

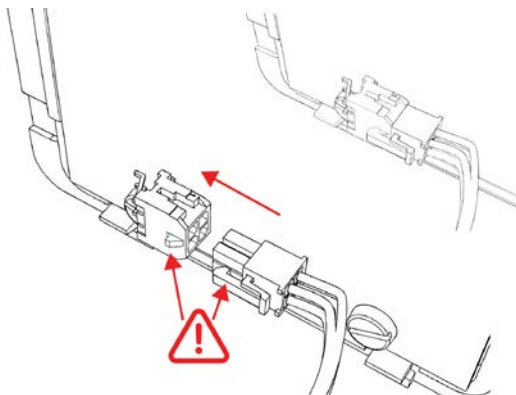


Abb. 5 Verbinden der Datenleitung
Montageanleitung für Fachpersonal

Das Leistungsteil (Siehe Abb. 1 / Pos. 2) kann auf dem Dach oder an der Kabinenwand montiert werden. Die Stromversorgung erfolgt durch Festanschluss. Die Qualität des Netzkabels muss mindestens Typ H07RN-F sein.

1. Drücken Sie vorsichtig mit einem Schlitzschraubendreher auf (Abb. 6 / Pos. 8) und entfernen Sie die Abdeckung.
2. Schrauben Sie an der gewünschten Montageposition des Leistungsteils die beiliegende Schraube fest und berücksichtigen Sie dabei einen Abstand von 7 mm zwischen Kabinenwand und Schraubenkopf (siehe Detail in Abb. 6).
3. Hängen Sie das Gehäuse an die montierte Schraube (siehe Abb. 6 / Pos. 2).
4. Schrauben Sie nach Abschluss des elektrischen Anschlusses (siehe Kapitel 5.1) die beiden Schrauben in (Abb. 6) Pos. 6 und Pos. 9 ein.
5. Bringen Sie die Abdeckung wieder an - oben und unten und drücken, bis Sie ein Klicken hören.

DE

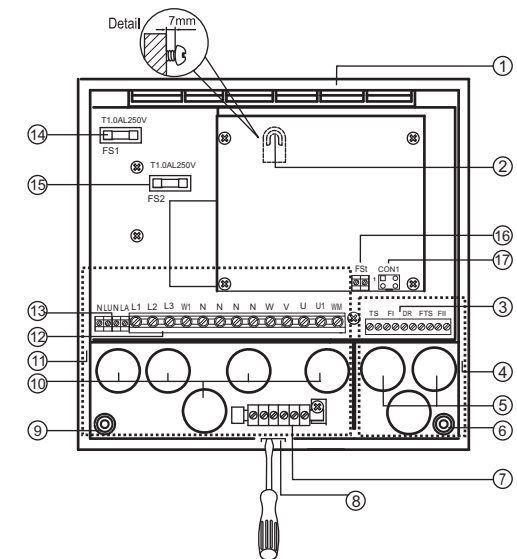


Abb. 6 Montage Leistungsteil



ACHTUNG

Die Steuerung ist gemäß der Schutzart IPX4 (spritzwassergeschützt) geschützt. Ein direkter Kontakt mit Wasser ist zu vermeiden! Montieren Sie sie Steuerung an einem trockenen Ort. Beachten Sie dabei die zulässigen Umgebungsbedingungen: Temperaturbereich - 10 °C bis 40 °C und eine maximale relative Luftfeuchte von 90 %.

4.2. Montage des Ofenfühlers F1

Der F1 Fühler mit eingebautem Sicherheitstemperaturbegrenzer, ist mittig über dem Ofen, mit einem Abstand von 15 cm zur Decke zu montieren. Beachten Sie bzgl. der Montageposition auch die Anleitung des Ofenherstellers.

1. Schließen Sie die Leitungen (Abb. 7 / Pos. 1) wie bei (Abb. 7 / Pos. 3) gezeigt am Ofenfühler an.
2. Befestigen Sie den Ofenfühler mit den beiliegenden Schrauben, mittig über dem Saunaofen, mit einem Abstand von 15 cm zur Decke, an der Wand. Die Schrauben werden durch die Öffnungen (Abb. 7 / Pos. 2) geführt.

ACHTUNG
Die Fühlerleitungen müssen von den spannungsführenden Leitungen des Ofens, Verdampfers oder der Steuerung getrennt verlegt werden.

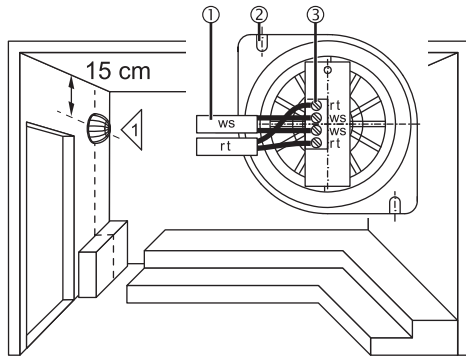


Abb. 7 Montage Ofenfühler F1

4.3. Montage des Bankfühlers FTS2

Der FTS2 Fühler wird mittig, an der dem Ofen gegenüberliegenden, Wand montiert. Es ist ein Abstand von 20 cm zur Decke einzuhalten.

1. Schließen Sie die Leitungen (Abb. 8 / Pos. 1) wie bei (Abb. 8 / Pos. 3) gezeigt am Bankfühler an.
2. Befestigen Sie den Bankfühler mit den beiliegenden Schrauben, mittig über der Saunabank, mit einem Abstand von 20 cm zur Decke an der Wand. Die Schrauben werden durch die Öffnungen (Abb. 8 / Pos. 2) geführt.

ACHTUNG
Die Fühlerleitungen müssen von den spannungsführenden Leitungen des Ofens, Verdampfers oder der Steuerung getrennt verlegt werden.

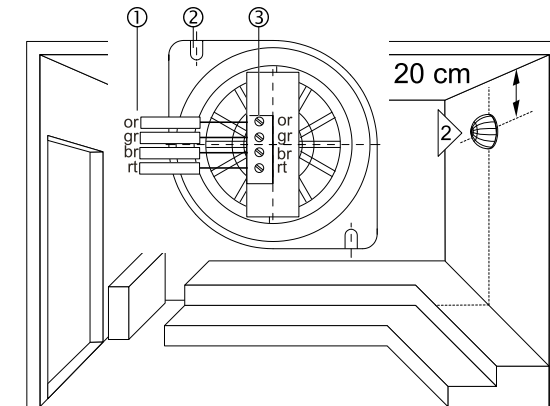


Abb. 8 Montage Bankfühlers FTS2

5. Elektrischer Anschluss

5.1. Anschluss des Leistungsteils

1. Führen Sie die Leitungen des Ofenfühlers (F1) und des Bankfühlers (FTS2) durch die Löcher (Abb. 6 / Pos. 5) in den Niederspannungsbereich (Abb. 6 / Pos. 4) und schließen Sie diese gemäß Schaltplan (Abb. 9) an die Klemme (Abb. 6 / Pos. 3) an.
2. Führen Sie die Leitungen des (optionalen) Türkontaktschalters durch die Löcher (Abb. 6 / Pos. 5) in den Niederspannungsbereich (Abb. 6 / Pos. 4) und schließen Sie diese gemäß (Abb. 9) an die Klemme (Abb. 6 / Pos. 3) an. Hinweis: Der Türkontaktschalters ist nicht im Lieferumfang enthalten. Werkseitig ist an der Klemme „DR“ eine Brücke montiert.
3. Führen Sie die Datenleitung des Bedienteils durch die Löcher (Abb. 6 / Pos. 5) in den Niederspannungsbereich (Abb. 6 / Pos. 4) und schließen Sie diese gemäß (Abb. 9) an die Klemme (Abb. 6 / Pos. 17) an.
4. Führen Sie die Leitungen des Lüfters und der Beleuchtung durch die Löcher (Abb. 6 / Pos. 10) in den 230/400 V Spannungsbereich (Abb. 6 / Pos. 11) und schließen Sie diese gemäß (Abb. 9) an die Klemme (Abb. 6 / Pos. 13) an.
5. Führen Sie die Leitungen für den Anschluss des Saunaofens und (falls vorhanden: des Verdampfers) durch die Löcher (siehe Abb. 6 / Pos. 10) in den 230/400 V Spannungsbereich (Abb. 6 / Pos. 11) und schließen Sie diese gemäß (Abb. 9) an die Klemme (Abb. 6 / Pos. 12) an.
6. Schließen Sie die Erdungskabel an Klemme (Abb. 6 / Pos. 7) an.

ACHTUNG
Mit der Saunasteuerung sc-1-black können bis zu drei Stromkreise mit einer maximalen Leistung von 3,5 kW gesteuert werden. Optional kann die Steuerung mit einer Leistungserweiterung (Anschluss: Klemme W1, Abb. 6 / Pos. 12) auf 18 kW - 30 kW erhöht werden.

ACHTUNG
Beachten Sie beim Verbinden der Datenleitung, die korrekte Ausrichtung des Steckers (siehe Abb. 5 / Seite 10). Bei falschem Anschluss kann das Bedienteil irreparabel beschädigt werden.

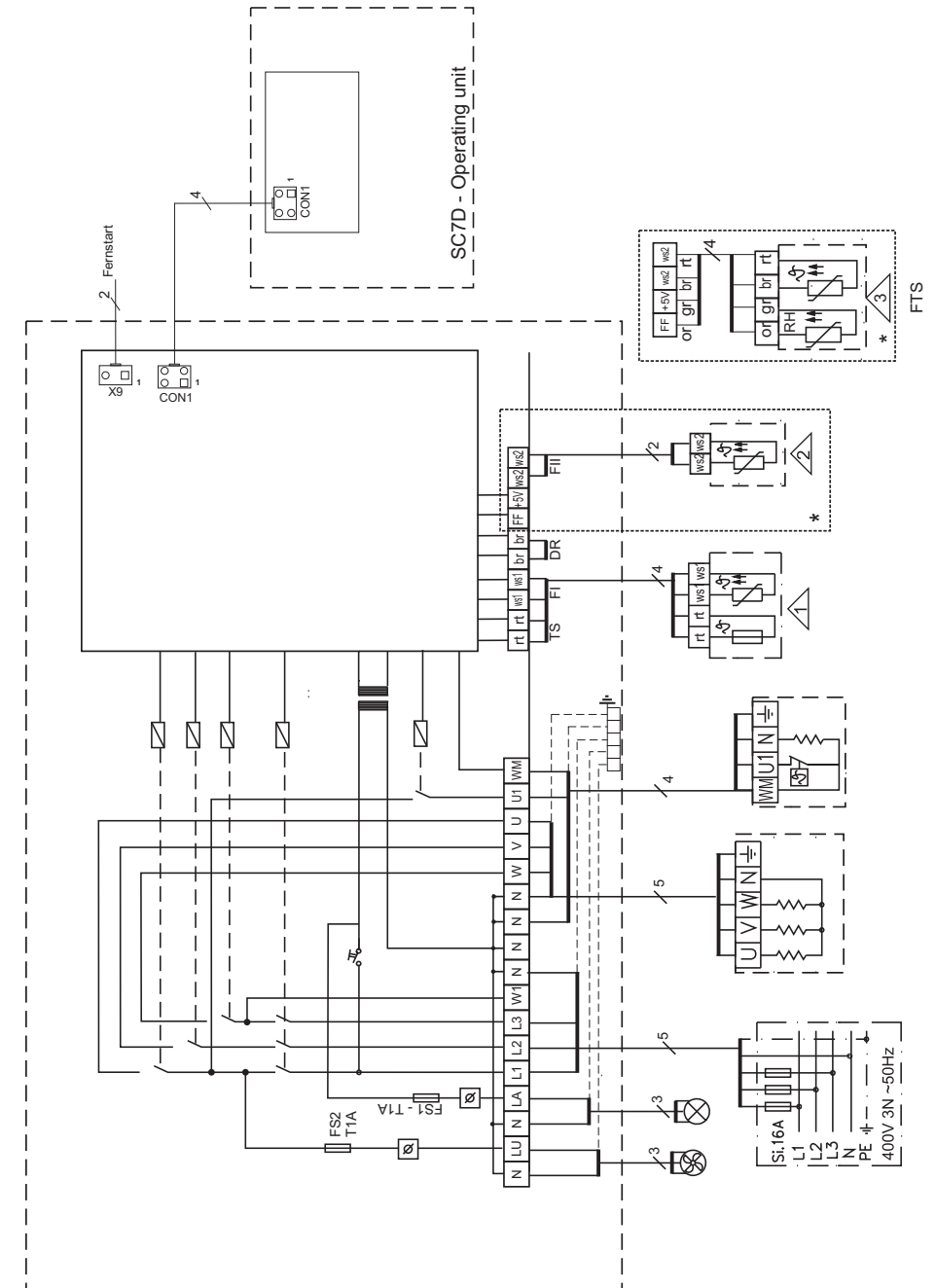


Abb. 9 Schaltplan
Montageanleitung für Fachpersonal

5.2. Anschluss eines Türkontaktschalters

Sofern ein Türkontaktschalter verwendet wird, ist dieser gemäß den Anweisungen des Herstellers zu montieren. Der Anschluss des Türkontaktschalters erfolgt an die Klemmen DR (siehe Abb. 6 / Pos. 3). Werkseitig ist an der Klemme „DR“ eine Brücke montiert.

5.3. Anschluss eines Schalters für Fernstart

Sofern ein Schalter zur Auslösung eines Fernstarts verwendet wird, ist dieser an die Klemme „Fst“ (siehe Abb. 6 / Pos. 16) anzuschließen.



ACHTUNG

Der Eingang für den Fernstart ist ein potentialfreier Kontakt. Folglich darf dieser nicht mit Spannung beaufschlagt werden.



WARNUNG

Vergewissern Sie sich unmittelbar vor der Aktivierung der Sauna, des Fernstarts oder Vorwahlzeit, dass keine brennbaren Gegenstände am Saunaofen oder Verdampfer liegen.

5.4. Abschließende Prüfungen



WARNUNG

Die folgenden Prüfungen werden bei eingeschalteter Steuerung durchgeführt, es besteht die Gefahr eines Stromschlags.

Die folgenden Prüfungen sind durch einen Elektriker durchzuführen.

1. Überprüfen die korrekte Klemmung der Erdungsklemmen.
2. Entfernen Sie eine der roten Leitungen des Sicherheitstemperaturbegrenzers (STB) (Abb. 7 / Pos. 3). Danach muss die Steuerung den STB-Fehler (E01) am Display zeigen und der Ofen muss automatisch ausgeschaltet werden.
3. Entfernen Sie eine der weißen Leitungen des Ofenfühlers F1 (Abb. 7 / Pos. 3). Danach muss die Steuerung den Ofenfühler-Fehler (E02) am Display zeigen und der Ofen muss automatisch ausgeschaltet werden.
4. Schließen Sie die Klemmen des Ofenfühlers F1 kurz (Abb. 7 / Pos. 3). Danach muss die Steuerung den Ofenfühler-Fehler (E02) am Display zeigen und der Ofen muss automatisch ausgeschaltet werden.
5. Überprüfen Sie die korrekte Klemmung und die Spannung der Phasen L1, L2, L3 bis U, V, W (Saunaofen).
6. Überprüfen Sie die korrekte Klemmung und die Spannung der Phasen L1 und U1 (Verdampfer).

DE

5.5. Fehlermeldungen

E01 „STB-Fehler“: Leitungsbruch der roten Leitungen zum Sicherheitstemperaturbegrenzer oder defekter Sicherheitstemperaturbegrenzer (z.B. aufgrund einer vorhergegangenen Temperaturüberschreitung).

E02 „Ofenfühler-Fehler“: Leitungsbruch oder Kurzschluss der weißen Leitungen zum Ofenfühler oder defekter Ofenfühler.

E03 „Bankfühler-Fehler“: Leitungsbruch oder Kurzschluss der weißen Leitungen zum Bankfühler oder defekter Bankfühler.

E04 „Übertragungsfehler Bedienteil“: Defekte Kommunikationsleitung zwischen Leistungs- und Bedienteil.

6. Inbetriebnahme

6.1. Allgemeine Hinweise zu dieser Anleitung

- Lesen Sie die Bedienungsanleitung aufmerksam, bevor Sie das Gerät verwenden. Auf diese Weise schützen sich vor möglichen Verletzungen.
- Wenden Sie sich bei Problemen oder Fragestellungen, die in dieser Anleitung nicht ausführlich behandelt werden, an Ihren Händler.
- Änderungen oder Modifikationen an der Saunasteuerung können den sicheren Betrieb gefährden und führen zum Erlöschen der Garantie- und Gewährleistungsansprüche.
- Bewahren Sie diese Anleitung in der Nähe der Steuerung auf, um wichtige Informationen zur Sicherheit und zum Betrieb der Steuerung nachzulesen.

6.2. Allgemeine Sicherheitshinweise

- Vergewissern Sie sich, dass keine (brennbaren) Gegenstände am Saunaofen oder Verdampfer liegen, bevor Sie die Saunasteuerung einschalten.
- Schalten Sie die Hauptsicherung Ihrer Sauna aus, wenn Sie das Gerät längere Zeit nicht verwenden (z.B. Sommerpause).

6.3. Bedienelemente der Steuerung

1. „Start/Stopp“ Taste
2. Taste zum Reduzieren des Werts der ausgewählten Einstellung
3. Taste zum Erhöhen des Werts der ausgewählten Einstellung
4. Taste zum Wählen der Temperatur-Einstellung
5. Taste zum Ein- und Ausschalten und Dimmen der Saunakabinenbeleuchtung
6. Taste zum Wählen der Vorwahlzeit (in Schritten von 5 Minuten; in einem Bereich von bis zu 9 Stunden)
7. Taste zum Wählen der Luftfeuchte (in Schritten von 5 %; in einem Bereich von 10 % bis 80 % abhängig von der gewählten Temperatur; unter 10 % ist der Verdampfer ausgeschaltet)
8. Taste zum Wählen der Lüftergeschwindigkeit (in Schritten von 10 %; in einem Bereich von 10 % bis 100 %; unter 10 % ist der Lüfter ausgeschaltet)
9. Taste zum Wählen der Laufzeit (in Schritten von 1 Stunde; in einem Bereich von bis zu 12 Stunden)



Abb. 10 Bedienelemente der Steuerung

6.4. Betriebsarten der Saunasteuerung

Sie haben die Möglichkeit unterschiedliche Betriebsarten zu wählen: „finnische Sauna“ und „Dampfsauna“. Die Auswahl der möglichen Betriebsarten ist auf den folgenden Seiten beschrieben.

Es besteht die Möglichkeit den Betrieb unmittelbar zu starten oder eine Vorwahlzeit zu wählen, nach Ablauf der Zeit startet die Sauna selbsttätig.

Bei der Betriebsart „finnische Sauna“, handelt es sich um eine „trockene Sauna“ mit einem wählbaren Temperaturbereich von 30 bis 105 °C.

Bei der Betriebsart „Dampfsauna“ ist es notwendig, dass ein Kombiofen oder ein zusätzlicher Verdampfer installiert ist. Hierbei ist eine Saunatemperatur von 30 bis 60 °C sowie eine Luftfeuchte bis 80 % rel. wählbar. Aufgrund der Norm EN 60335 ist es nicht möglich in der Betriebsart „Dampfsauna“ höhere Temperaturen als 60 °C zu wählen.

Nach Beendigung der Betriebsart „Dampfsauna“ wird automatisch das Trockenprogramm gestartet (am Display wird „dry“ angezeigt), damit die verbleibende Feuchte in der Kabine aufgetrocknet wird.

Falls Ihre Saunakabine über einen Kabinen-Lüfter verfügt, kann dieser in jeder Betriebsart eingeschaltet werden.

6.5. Ein-/Ausschalten der Steuerung und der Beleuchtung



WARNUNG

Vergewissern Sie sich unmittelbar vor der Aktivierung der Sauna, des Fernstarts oder Vorwahlzeit, dass keine brennbaren Gegenstände am Saunaofen oder Verdampfer liegen.

Einschalten der Steuerung:

1. Wenn Ihre Steuerung im Stand-by ist, leuchtet die „Ein-/Aus-Taste“ (Abb. 10 / Pos. 1).
2. Schalten Sie das Gerät durch betätigen der „Ein-/Aus-Taste“ (Abb. 10 / Pos. 1) ein.
3. Nun leuchten alle* Symbole, das Gerät befindet sich nun auf der „Startseite“. Wenn Sie sich auf der „Startseite“ befinden, können durch Auswahl der jeweiligen Funktion, alle Einstellungen der Steuerung verändert werden.
4. Betätigen Sie dazu die gewünschte Funktions-Taste (Temperatur, Licht, Vorwahlzeit, Feuchte, Lüfter, Laufzeit).
5. Verwenden Sie die Tasten „Auf“ (Abb. 10 / Pos. 3) oder „Ab“ (Abb. 10 / Pos. 2), um die Einstellungen zu ändern.
6. Betätigen Sie zum Speichern des gewählten Werts wieder die zugehörige Funktions-Taste.

* Sofern die Funktion „Verdampfer“ deaktiviert wurde, leuchtet das „Feuchte-Symbol“ (Abb. 10 / Pos. 7) nicht auf. Zum Aktivieren siehe 6.12.

Sofern die Funktion „Ferienhausmouds“ aktiviert wurde, leuchtet lediglich das „Temperatur“ und das „Licht-Symbol“ auf. Zum Deaktivieren siehe 6.13.

Ausschalten der Steuerung

1. Wenn Sie die Steuerung längere Zeit nicht benutzen oder den Saunagang beendet haben, schalten Sie die Steuerung durch betätigen der „Ein-/Aus-Taste“ aus (Abb. 10 / Pos. 1).
2. Nun leuchtet nur die „Ein-/Aus-Taste“, die Saunasteuerung befindet sich im Stand-by.

Ein-/Ausschalten und Dimmen der Beleuchtung

1. Betätigen Sie die „Licht-Taste“ (Abb. 11 / Pos. 5)
2. Das „Licht-Symbol“ leuchtet daraufhin heller.
3. Verwenden Sie die Tasten „Auf“ (Abb. 11 / Pos. 3) oder „Ab“ (Abb. 11 / Pos. 2), um die Beleuchtungsstärke auszuwählen.
4. Betätigen Sie erneut die „Licht-Taste“ (Abb. 11 / Pos. 5), um den ausgewählten Wert zu speichern.
5. Betätigen Sie die „Ein-/Aus-Taste“ (Abb. 10 / Pos. 1) um die Sauna mit den eingestellten Werten zu starten.

Wenn Sie für mehr als 5 Sekunden keine Taste betätigen, wird die Lichteinstellung automatisch verlassen ohne Änderungen zu speichern.

DE



Abb. 11 Ein-/Ausschalten und Dimmen der Beleuchtung

6.6. Einschalten der Betriebsart „finnische Sauna“



WARNUNG

Vergewissern Sie sich unmittelbar vor der Aktivierung der Sauna, des Fernstarts oder Vorwahlzeit, dass keine brennbaren Gegenstände am Saunaofen oder Verdampfer liegen.

1. Schalten Sie die Steuerung wie in 6.5 beschrieben ein. Die Steuerung befindet sich auf der „Startseite“.
2. Betätigen Sie „Temperatur-Taste“ (Abb. 12 / Pos. 4).
3. Das „Temperatur-Symbol“ leuchtet daraufhin heller.
4. Verwenden Sie die Tasten „Auf“ (Abb. 10 / Pos. 3) oder „Ab“ (Abb. 10 / Pos. 2), um die gewünschte Temperatur auszuwählen.
5. Betätigen Sie erneut die „Temperatur-Taste“ (Abb. 12 / Pos. 4), um den ausgewählten Temperatur-Sollwert zu speichern.
6. Betätigen Sie die „Ein-/Aus-Taste“ (Abb. 10 / Pos. 1) um die Sauna mit den eingestellten Werten zu starten.
7. Das Display zeigt nun die aktuelle Temperatur und Luftfeuchte der Saunakabine.

Wenn Sie für mehr als 5 Sekunden keine Taste betätigen, wird die Temperatureinstellung automatisch verlassen ohne Änderungen zu speichern.

Schalten Sie das Gerät nach Ende des Saunabesuchs wie in 6.5 beschrieben aus.

6.7. Einschalten der Betriebsart „Dampfsauna“



WARNUNG

Vergewissern Sie sich unmittelbar vor der Aktivierung der Sauna, des Fernstarts oder Vorwahlzeit, dass keine brennbaren Gegenstände am Saunaofen oder Verdampfer liegen.

1. Schalten Sie die Steuerung wie in 6.5 beschrieben ein. Die Steuerung befindet sich auf der „Startseite“.
2. Betätigen Sie „Temperatur-Taste“ (Abb. 12 / Pos. 4).
3. Das „Temperatur-Symbol“ leuchtet daraufhin heller.
4. Verwenden Sie die Tasten „Auf“ (Abb. 10 / Pos. 3) oder „Ab“ (Abb. 10 / Pos. 2), um die gewünschte Temperatur auszuwählen.

5. Betätigen Sie erneut die „Temperatur-Taste“ (Abb. 12 / Pos. 4), um den ausgewählten Temperatur-Sollwert zu speichern. Der mögliche Temperaturbereich für die Betriebsart „Dampfsauna“ ist 40 - 60 °C.
6. Betätigen Sie „Feuchte-Taste“ (Abb. 12 / Pos. 7).
7. Verwenden Sie die Tasten „Auf“ (Abb. 10 / Pos. 3) oder „Ab“ (Abb. 9 / Pos. 2), um die gewünschte Luftfeuchte auszuwählen.
8. Betätigen Sie erneut die „Feuchte-Taste“ (Abb. 12 / Pos. 7), um den ausgewählten Luftfeuchte-Sollwert zu speichern.
9. Betätigen Sie die „Ein-/Aus-Taste“ (Abb. 10 / Pos. 1) um die Sauna mit den eingestellten Werten zu starten.
10. Das Display zeigt nun die aktuelle Temperatur und Luftfeuchte der Saunakabine.

Der Verdampfer schaltet sich ab einer Temperatur von 40 °. Ist der Wasserstand zu niedrig zeigt die Steuerung die Meldung „fill“.

Wenn Sie für mehr als 5 Sekunden keine Taste betätigen, wird die Feuchte-einstellung automatisch verlassen ohne Änderungen zu speichern.



Vergewissern Sie sich vor dem Start der Betriebsart „Dampfsauna“, dass der Verdampfer mit ausreichend Wasser gefüllt ist.

11. Um den Verdampfer auszuschalten, wird eine Luftfeuchtigkeit von 0 % gewählt.

Schalten Sie das Gerät nach Ende des Saunabesuchs wie in 6.5 beschrieben aus.

Nach Ende der Laufzeit oder dem Ausschalten der Steuerung, wird auf dem Display „dry“ angezeigt und das Trocknungsprogramm gestartet. Dabei wird die Kabine auf 80 °C erhitzt und immer wieder der Lüfter eingeschaltet. Das Trockenprogramm dauert ca. 20 min.

Standardmäßig ist der Verdampfer beim Starten der Steuerung immer ausgeschaltet. Der ausgewählte Wert der Luftfeuchte wird beim Ausschalten nicht gespeichert.



Abb. 12 Einschalten der Betriebsart „finnische Sauna“ oder „Dampfsauna“

6.8. Ein-/Ausschalten des Lüfters



WARNUNG

Vergewissern Sie sich unmittelbar vor der Aktivierung der Sauna, des Fernstarts oder Vorwahlzeit, dass keine brennbaren Gegenstände am Saunaofen oder Verdampfer liegen.

1. Betätigen Sie „Lüfter-Taste“ (Abb. 13 / Pos. 8).
2. Dieses Symbol leuchtet daraufhin heller
3. Verwenden Sie die Tasten „Auf“ (Abb. 10 / Pos. 3) oder „Ab“ (Abb. 10 / Pos. 2), um die gewünschte Lüfter-Intensität auszuwählen.
4. Betätigen Sie erneut die „Lüfter-Taste“ (Abb. 13 / Pos. 8), um den ausgewählten Wert zu speichern.
5. Bei zuvor bereits gestarteter Sauna, zeigt das Display nun die aktuelle Temperatur und Luftfeuchte der Saunakabine. Sollte nur die „Ein-/Aus-Taste“ (Abb. 10 / Pos. 1) leuchten befindet sich die Steuerung auf der „Startseite“, betätigen Sie die „Ein-/Aus-Taste“ (Abb. 10 / Pos. 1) um die Sauna mit den eingestellten Werten zu starten.

DE

Wenn Sie für mehr als 5 Sekunden keine Taste betätigen, wird die Lüftereinstellung automatisch verlassen ohne Änderungen zu speichern.

Die Lüfterdrehzahl kann von 10 % - 100 % eingestellt werden, bei 0 % ist der Lüfter aus.



Abb. 13 Einschalten des Lüfters
Gebrauchsanleitung für Anwender

6.9. Fernstart



WARNUNG

Vergewissern Sie sich unmittelbar vor der Aktivierung der Sauna, des Fernstarts oder Vorwahlzeit, dass keine brennbaren Gegenstände am Saunaofen oder Verdampfer liegen.

Wenn der elektrische Schalter an Klemme „X9 - FSt“ montiert ist, kann die Steuerung beim Schließen des Schaltkontakts aus der Ferne gestartet werden. Nach Betätigung des Fernstarts, startet die Sauna mit den zuletzt verwendeten Einstellungen.

Der Verdampfer ist bei einem Fernstart immer ausgeschaltet.

6.10. Einstellen einer Vorwahlzeit

Durch Wahl einer Vorwahlzeit, wird die Sauna nach der festgelegten Zeit automatisch gestartet. Der einstellbare Zeitbereich beträgt 5 min bis 9 Stunden.

Beachten Sie auch das Kapitel 6.12 „Funktion des (optionalen) Türkontaktschalters“.



WARNUNG

Vergewissern Sie sich unmittelbar vor der Aktivierung der Sauna, des Fernstarts oder Vorwahlzeit, dass keine brennbaren Gegenstände am Saunaofen oder Verdampfer liegen.

1. Schalten Sie die Steuerung wie in 6.5 beschrieben ein. Die Steuerung befindet sich auf der „Startseite“.
2. Stellen Sie die gewünschten Werte für Temperatur, Lüfter, Verdampfer und die Laufzeit wie zuvor beschrieben ein.
3. Um die Vorwahlzeit zu aktivieren, drücken Sie die „Vorwahlzeit-Taste“ (Abb. 14 / Pos. 6).
4. Dieses Symbol leuchtet daraufhin heller.
5. Verwenden Sie die Tasten „Auf“ (Abb. 10 / Pos. 3) oder „Ab“ (Abb. 10 / Pos. 2), um die gewünschte Vorwahlzeit (hh:mm) auszuwählen.
6. Betätigen Sie „Ein-/Aus-Taste“ (Abb. 10 / Pos. 1), um den ausgewählten Wert zu speichern.

7. Betätigen Sie die „Ein-/Aus-Taste“ (Abb. 10 / Pos. 1), um die Sauna mit der eingestellten Vorwahlzeit und den zuvor gewählten Einstellungen zu starten.

Wenn Sie für mehr als 5 Sekunden keine Taste betätigen, wird die Einstellung der Vorwahlzeit automatisch verlassen ohne Änderungen zu speichern.

8. Das Display zeigt nun die verbleibende Zeit bis zum Start der Sauna (hh:mm) - siehe Abb. 15.
9. Nach Ablauf der gewünschten Zeit schaltet sich die Saunasteuerung mit den eingestellten Werten ein.

Schalten Sie das Gerät nach Ende des Saunabesuchs wie in 6.5 beschrieben aus.

DE

Vorwahlzeit abbrechen:

1. Betätigen Sie die „Ein-/Aus-Taste“ (Abb. 10 / Pos. 1).
2. Die ausgewählte Vorwahlzeit wird abgebrochen. Das Gerät schaltet sich aus und befindet sich im Stand-by. (Es wird keine Zeit angezeigt.)

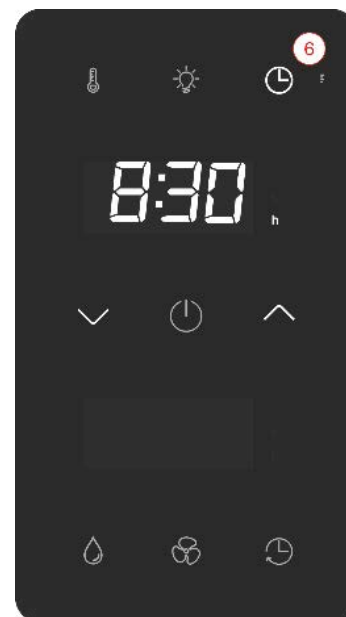


Abb. 14 Taste Vorwahlzeit
Gebrauchsanleitung für Anwender

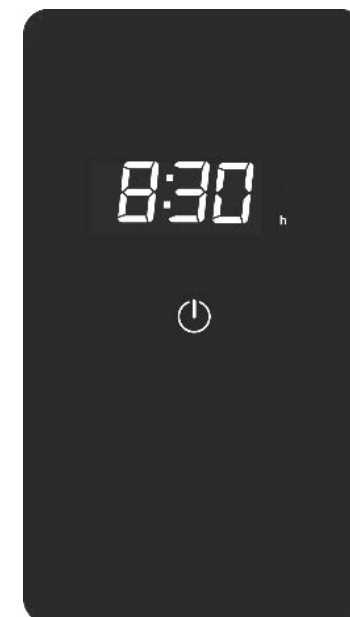


Abb. 15 Verbleibende Zeit
S. 27/40

6.11. Einstellen der Laufzeit

Nach Erreichen der maximalen Laufzeit (spätestens nach 12 Stunden), schaltet die Steuerung den Ofen und Verdampfer aus und befindet sich im Stand-by Modus.

1. Betätigen Sie „Laufzeit-Taste“ (Abb. 10 / Pos. 9).
2. Dieses Symbol leuchtet daraufhin heller.
3. Verwenden Sie die Tasten „Auf“ (Abb. 10 / Pos. 3) oder „Ab“ (Abb. 10 / Pos. 2), um die gewünschte Laufzeit auszuwählen.
4. Betätigen Sie erneut die „Laufzeit-Taste“ (Abb. 10 / Pos. 9), um den ausgewählten Wert zu speichern.
5. Bei zuvor bereits gestarteter Sauna, zeigt das Display nun die aktuelle Temperatur und Luftfeuchte der Saunakabine. Sollte nur die „Ein-/Aus-Taste“ (Abb. 10 / Pos. 1) leuchten befindet sich die Steuerung auf der „Startseite“, betätigen Sie die „Ein-/Aus-Taste“ (Abb. 10 / Pos. 1) um die Sauna mit den eingestellten Werten zu starten.

Wenn Sie für mehr als 5 Sekunden keine Taste betätigen, wird die Einstellung der Laufzeit automatisch verlassen ohne Änderungen zu speichern.

Die Laufzeit kann von 1 - 12 h eingestellt werden.



WARNUNG

Der voreingestellte Wert der Laufzeit ist 6 h. Dieser ist von 1 – 12 h einstellbar. Jedoch gilt: Für private Saunen ist eine Laufzeitbegrenzung von 6 h vorgeschrieben. Diese darf nur für Saunen in Hotels, Wohnblöcken usw. auf bis zu 12 h erweitert werden.

6.12. Funktion des (optionalen) Türkontaktschalters

Zur Vermeidung von Saunabränden wird, bei gestarteter Vorwahlzeit, die Kabinentür überwacht.

Dies soll verhindern, dass während der einer laufenden Vorwahlzeit versehentlich Gegenstände am Saunaofen abgelegt werden, welche zu Bränden führen könnten.

Status „Vorwahlzeit läuft“:

Wenn die Funktion Vorwahlzeit aktiviert ist und anschließend die Saunatür geöffnet wird, zeigt die Steuerung „door“ für Tür an und setzt die eingestellte Vorwahlzeit zurück - es erfolgt kein automatischer Start der Sauna. Nach dem Schließen der Tür muss die Vorwahlzeit deshalb erneut eingestellt werden.

Status „Ofen heizt“:

Wenn die Sauna bereits gestartet wurde und die **Ist-Temperatur niedriger als 40 °C** ist, wird beim Öffnen der Tür „door“ für Tür angezeigt und der Saunaofen ausgeschaltet. Zum weiteren Betrieb der Sauna muss die Tür geschlossen werden und die Sauna mit der „Ein-/Aus-Taste“ (Abb. 10 / Pos. 1) erneut gestartet werden.

Wenn die Sauna bereits läuft und die **Ist-Temperatur höher als 40 °C** ist, wird beim Öffnen der Tür (für mehr als 5 Sekunden), „door“ für Tür angezeigt und der Saunaofen ausgeschaltet, nach dem Schließen der Tür wird dieser wieder eingeschaltet.



WARNUNG

Vergewissern Sie sich unmittelbar vor der Aktivierung der Sauna, des Fernstarts oder Vorwahlzeit, dass keine brennbaren Gegenstände am Saunaofen oder Verdampfer liegen.

DE

6.13. Verdampferfunktion deaktivieren / aktivieren

Werkseitig ist die Steuerung für den Betrieb eines Saunaofens mit Verdampfer konfiguriert. Sollte die Funktion nicht benötigt werden, kann diese wie folgt deaktiviert werden:

1. Wenn Ihre Steuerung im Stand-by ist, leuchtet die „Ein-/Aus-Taste“ (Abb. 10 / Pos. 1).
2. Betätigen Sie nun die „Ein-/Aus-Taste“ (Abb. 10 / Pos. 1) und die „Temperatur-Taste“ (Abb. 10 / Pos. 4) für ca. 4 Sekunden gleichzeitig.
3. Die Verdampferfunktion ist nun deaktiviert / aktiviert.

Nach dem Einschalten der Steuerung (Kapitel 6.5) leuchtet nun das „Feuchte-Symbol“ (Abb. 10 / Pos. 7) nicht mehr. Das Aktivieren der Funktion erfolgt in gleicher Weise.

6.14. Ferienhausmodus aktivieren / deaktivieren

Werkseitig ist die Steuerung so konfiguriert, dass alle Funktionen bedient werden können. Sollte dies nicht gewünscht sein (z.B. für Ferienhäuser), kann dies auf die Funktionen „Temperatur“ und „Licht“ eingeschränkt werden.

1. Stellen Sie zuerst die Werte für „Laufzeit“ (6.14) und „Lüfter“ (6.8) ein und speichern diese. Diese Werte können im Ferienhausmodus nicht geändert werden.
2. Wechseln Sie in den Stand-by. Wenn Ihre Steuerung im Stand-by ist, leuchtet die „Ein-/Aus-Taste“ (Abb. 10 / Pos. 1).
3. Betätigen Sie nun die „Ein-/Aus-Taste“ (Abb. 10 / Pos. 1) und die „Licht-Taste“ (Abb. 10 / Pos. 5) für ca. 4 Sekunden gleichzeitig.
4. Die Ferienhausfunktion ist nun aktiviert / deaktiviert.

Nach dem Einschalten der Steuerung (Kapitel 6.5) ist nun nur mehr die Funktion „Temperatur“ und „Licht“ steuerbar. Das Deaktivieren der Funktion erfolgt in gleicher Weise.

6.15. Betriebszustände der Steuerung

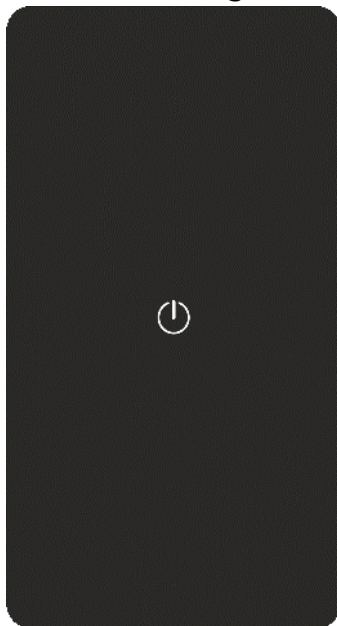


Abb. 16 Saunasteuerung befindet sich im Stand-by

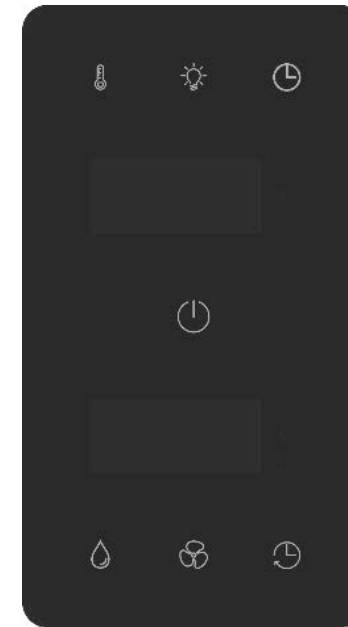


Abb. 17 Saunasteuerung befindet sich auf der „Startseite“

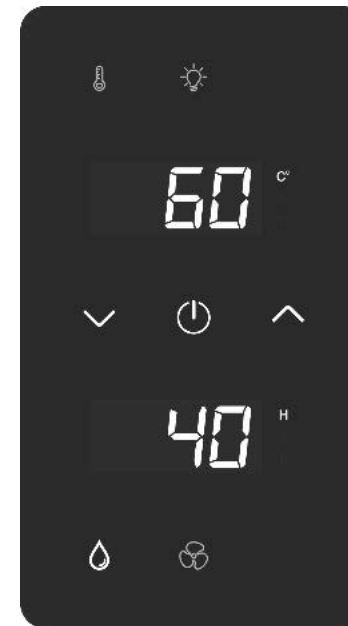


Abb. 18 Die Sauna ist gestartet - es wird die Ist-Temperatur und Ist-Feuchte gezeigt

6.16. Statusmeldungen der Saunasteuerung

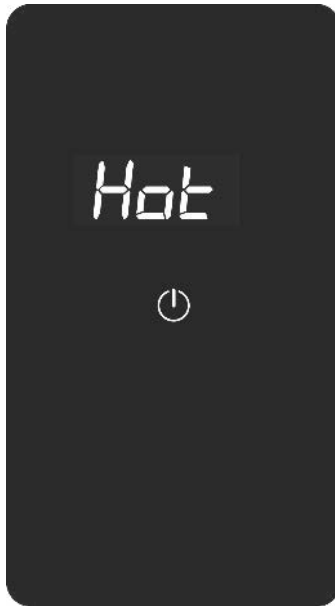


Abb. 19 „Hot“ - angezeigt wenn versucht wird, die Dampfsaunafunktion einzuschalten, aber die Temperatur in der Kabine mehr als 60 °C beträgt

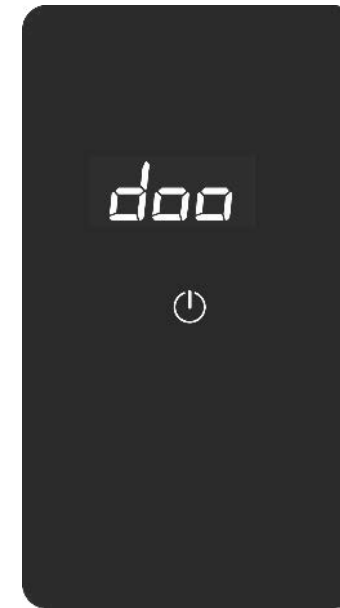


Abb. 21 „door“ - die Tür der Saunakabine ist offen (Anzeige nur bei installiertem Türkontaktschalter)

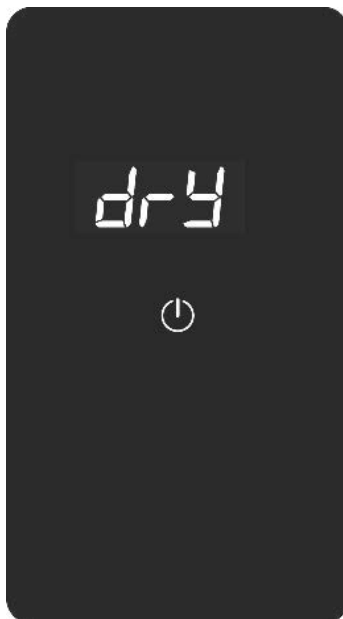


Abb. 20 „dry“ - Trocknungsprogramm läuft
Gebrauchsanleitung für Anwender



Abb. 22 „FLL“ - Niedriger Wasserstand im Verdampfer
Gebrauchsanleitung für Anwender

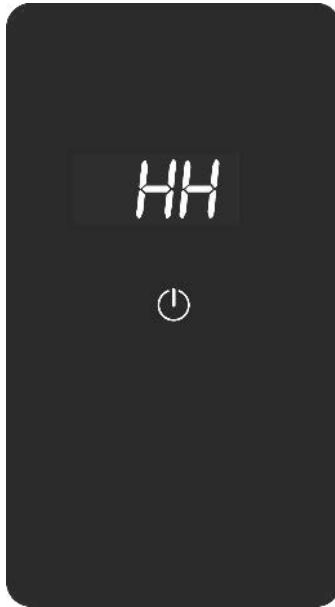


Abb. 23 „HH“ - die Temperatur eines der beiden Sensoren beträgt über 130 °C

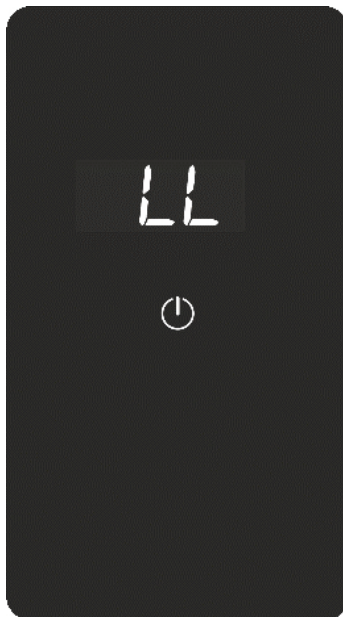


Abb. 24 „LL“ - die Temperatur eines der beiden Sensoren ist unter 0 °C
Gebrauchsanleitung für Anwender

6.17. Fehlermeldungen

Mögliche Fehler werden durch folgende Fehlercodes im Display angezeigt. Notieren Sie im Fehlerfall den Fehlercode (z.B. E01), trennen Sie die Hauptsicherung und wenden Sie sich anschließend an einen Servicetechniker oder Ihren Händler.

Beschreibung der Fehlercodes:

E01 „STB-Fehler“: Leitungsbruch der roten Leitungen zum Sicherheitstemperaturbegrenzer oder defekter Sicherheitstemperaturbegrenzer (z.B. aufgrund vorhergegangener Temperaturüberschreitung).

E02 „Ofenfühler-Fehler“: Leitungsbruch oder Kurzschluss der weißen Leitungen zum Ofenfühler oder defekter Ofenfühler.

E03 „Bankfühler-Fehler“: Leitungsbruch oder Kurzschluss der weißen Leitungen zum Bankfühler oder defekter Bankfühler.

E04 „Übertragungsfehler Bedienteil“: Defekte Kommunikationsleitung zwischen Leistungs- und Bedienteil.

DE



Abb. 25 Anzeige für Fehlermeldung „E01“

7. Problemlösungen

7.1. Laufzeitüberschreitung

Nach Erreichen der maximalen Laufzeit (spätestens nach 12 Stunden), schaltet die Steuerung den Saunaofen und Verdampfer aus und befindet sich im Stand-by Modus.

1. Betätigen Sie die „Laufzeit-Taste“ (Abb. 26 / Pos. 9) um die Steuerung wieder zu starten.
2. Dieses Symbol leuchtet daraufhin heller
3. Verwenden Sie die Tasten „Auf“ (Abb. 10 / Pos. 3) oder „Ab“ (Abb. 10 / Pos. 2), um die gewünschte Laufzeit auszuwählen.
4. Betätigen Sie erneut die „Laufzeit-Taste“ (Abb. 26 / Pos. 9), um den ausgewählten Wert zu speichern und die Sauna wieder zu starten.

Wenn Sie für mehr als 5 Sekunden keine Taste betätigen, wird die Einstellung der Laufzeit automatisch verlassen ohne Änderungen zu speichern.

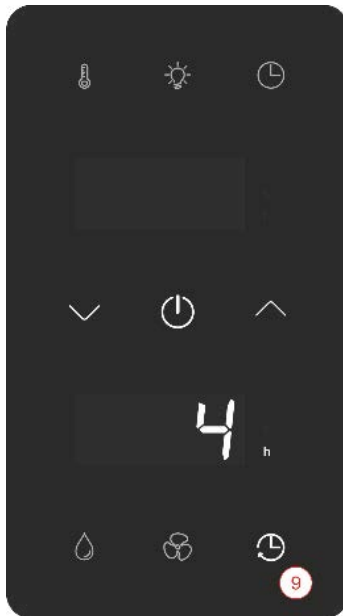


Abb. 26 Einstellung der Laufzeit

7.2. Kabinenbeleuchtung funktioniert nicht

1. Schalten Sie die Saunasteuerung durch Betätigen der „Ein-/Aus-Taste“ (Abb. 10 / Pos. 1) aus.
2. Schalten Sie die Hauptsicherung aus.
3. Ersetzen Sie das Leuchtmittel der Kabinenbeleuchtung.
4. Schalten Sie die Hauptsicherung ein und drücken Sie die „Ein-/Aus-Taste“ (Abb. 10 / Pos. 1) .
5. Sollte das Kabinenlicht dennoch nicht funktionieren, wenden Sie sich an einen Servicetechniker oder Ihren Händler.

DE

8. Reinigung

Reinigen Sie bei Bedarf die Vorderseite des Bedien- oder Leistungsteils mit einem weichen Tuch und warmen Wasser.

Die Reinigung mit Dampfreinigern, Hochdruckreinigern und Spritzwasser ist nicht zulässig.

9. Entsorgung



Die Verpackungsmaterialien sind nach den gültigen Richtlinien zu entsorgen.

Altgeräte enthalten wiederverwertbare als auch schädliche Stoffe, entsorgen Sie diese daher nicht im Restmüll sondern nach den geltenden Vorschriften.

10. Technische Daten

10.1. Leistungsteil

Umgebungsbedingungen

Lagertemperatur: - 25 °C bis + 70 °C

Betriebstemperatur: - 10 °C bis + 40 °C

Luftfeuchtigkeit: max. 95 %

maximale Leitungslängen

F1 Fühler: 4,5 m

FTS2 Fühler: 4,5 m

Kommunikationsleitung (Leistungsteil – Bedienteil): 15 m

Abmessungen (B x H x T): 242 x 214 x 84 mm

Schaltspannung: 3N 400 V AC / 50 Hz

Schaltleistung Saunaofen: 3 x 3,5 kW (10,5 kW)

Schaltstrom je Phase / Saunaofen: 16 A

Schaltleistung Verdampfer: 3,5 kW

Schaltstrom Verdampfer: 16 A

Schaltleistung Lüfter: 100 W

Schaltleistung Licht: 100 W

Schutzart: Spritzwassergeschützt IPX4

Die Saunasteuerung muss als Festanschluss an das Stromnetz ausgeführt werden.

Einstellbereiche

Temperatur: 30 °C bis 105 °C

Feuchte: 10 % bis 80 % rel.

Sicherheitseinrichtungen

Sicherheitstemperaturbegrenzer (STB) Ausschalttemperatur: 139 °C

Automatische Laufzeitbegrenzung: voreingestellter Wert 6 h (1 – 12 h einstellbar*)

* Für private Saunen ist eine Laufzeitbegrenzung von 6 h vorgeschrieben. Diese darf für Saunen in Hotels, Wohnblöcken usw. auf bis zu 12 h erweitert werden.

Leitungsquerschnitte für den Anschluss

Versorgungsleitung: min. 5 x 2,5 mm²

Ofenleitung (temperaturbeständig bis 150 °C): min. 2,5 mm²

Verdampferleitung (temperaturbeständig bis 150 °C): min. 2,5 mm²

Fühlerleitungen (temperaturbeständig bis 150 °C): min. 0,5 mm²

Lichtleitung: min. 1,5 mm²

Lüfterleitung: min. 1,5 mm²

10.2. Bedienteil

Umgebungsbedingungen

Lagertemperatur: -25 °C bis +70 °C

Umgebungstemperatur: 0 °C bis + 80 °C

Luftfeuchtigkeit: max. 99 % rel.

Abmessungen (B x H x T): 85,5 x 150 x 19 mm

Montageausschnitt (B x H): 67 x 136 mm

Schutzart: Spritzwassergeschützt IPX4



NARVI

Narvi Oy
Yrittäjäntie 1, 27230 Lappi, Finland
tel +358 20 7416 740
export@narvi.fi